

# **SERVICE AND PARTS MANUAL FOR BLOWER MODEL**

## **EN707 – EN808 SINGLE PHASE**

## **DIRECT DRIVE REGENERATIVE BLOWER**



AMETEK Dynamic Fluid Solutions  
100 East Erie St., Kent, Ohio 44240  
Telephone: 330-673-3452 Fax: 330-677-3306  
email: [dfs.information@ametek.com](mailto:dfs.information@ametek.com)  
internet: [www.ametekdfs.com](http://www.ametekdfs.com)

**AMETEK**

**Your Choice. Our Commitment.™**

# WARRANTY, INSTALLATION, MAINTENANCE AND TROUBLESHOOTING INSTRUCTIONS



AMETEK Dynamic Fluid Solutions  
100 East Erie St., Kent, Ohio 44240  
Telephone: 330-673-3452 Fax: 330-677-3306  
email: [dfs.information@ametek.com](mailto:dfs.information@ametek.com)  
internet: [www.ametekdfs.com](http://www.ametekdfs.com)

1. AMETEK Rotron DR, EN and HiE regenerative direct drive blowers are guaranteed for one full year from the date of installation (limited to 18 months from the date of shipment) to the original purchaser only. Should the blower fail we will evaluate the failure. If failure is determined to be workmanship or material defect related, we will at our option repair or replace the blower.
2. AMETEK Rotron Minispiral, Revaflow, Multiflow, Nautilair, remote drive blowers, moisture separators, packaged units, CP blowers, Nasty Gas™ models and special built (EO) products are guaranteed for one full year from date of shipment for workmanship and material defect to the original purchaser only. Should the blower fail, If failure is determined to be workmanship or material defect related, we will at our option repair or replace the blower.
3. **Parts Policy** - AMETEK Rotron spare parts and accessories are guaranteed for three months from date of shipment for workmanship and material defect to the original purchaser only. If failure is determined to be workmanship or material defect related we will at our option repair or replace the part.

**Corrective Action** - A written report will be provided indicating reason(s) for failure, with suggestions for corrective action. Subsequent customer failures due to abuse, misuse, misapplication or repeat offense will not be covered. AMETEK Rotron will then notify you of your options. Any failed unit that is tampered with by attempting repair or diagnosis will void the warranty, unless authorized by the factory.

**Terms and Conditions** - Our warranty covers repairs or replacement of regenerative blowers only, and will not cover labor for installation, outbound and inbound shipping costs, accessories or other items not considered integral blower parts. Charges may be incurred on products returned for reasons other than failures covered by their appropriate warranty. Out-of-warranty product and in warranty product returned for failures determined to be caused by abuse, misuse, or repeat offense will be subject to an evaluation charge. Maximum liability will in no case exceed the value of the product purchased. Damage resulting from mishandling during shipment is not covered by this warranty. It is the responsibility of the purchaser to file claims with the carrier. Other terms and conditions of sale are stated on the back of the order acknowledgement.

## Installation Instructions for SL, DR, EN, CP, and HiE Series Blowers

1. **Bolt It Down** - Any blower must be secured against movement prior to starting or testing to prevent injury or damage. The blower does not vibrate much more than a standard electric motor.
2. **Filtration** - All blowers should be filtered prior to starting. Care must be taken so that no foreign material enters the blower. If foreign material does enter the blower, it could cause internal damage or may exit at extremely high velocity.

Should excessive amounts of material pass through the blower, it is suggested that the cover(s) and impeller(s) be removed periodically and cleaned to avoid impeller imbalance. Impeller

imbalance greatly speeds bearing wear, thus reducing blower life. Disassembling the blower will void warranty, so contact the factory for cleaning authorization.

- Support the Piping** - The blower flanges and nozzles are designed as connection points only and are not designed to be support members.

Caution: Plastic piping should not be used on blowers larger than 1 HP that are operating near their maximum pressure or suction point. Blower housing and nearby piping temperatures can exceed 200°F. Access by personnel to the blower or nearby piping should be limited, guarded, or marked, to prevent danger of burns.

- Wiring** - Blowlers must be wired and protected/fused in accordance with local and national electrical codes. All blowlers must be grounded to prevent electrical shock. Slo-Blo or time delay fuses should be used to bypass the first second of start-up amperage.
- Pressure/Suction Maximums** - The maximum pressure and/or suction listed on the model label should not be exceeded. This can be monitored by means of a pressure or suction gage (available from Rotron), installed in the piping at the blower outlet or inlet. Also, if problems do arise, the Rotron Field representative will need to know the operating pressure/suction to properly diagnose the problem.
- Excess Air** - Bleed excess air off. DO NOT throttle to reduce flow. When bleeding off excess air, the blower draws less power and runs cooler.

**Note:** Remote Drive (Motorless) Blowlers - Properly designed and installed guards should be used on all belts, pulleys, couplings, etc. Observe maximum remote drive speed allowable. Due to the range of uses, drive guards are the responsibility of the customer or user. Belts should be tensioned using belt gauge.

Maintenance Procedure

**When properly piped, filtered, and applied, little or no routine maintenance is required. Keep the filter clean. Also, all standard models in the DR, EN, CP, and HiE series have sealed bearings that require no maintenance. Bearing should be changed after 15,000 to 20,000 hours, on average. Replacement bearing information is specified on the chart below.**

Bearing Part Number	Size	Seal Material	Grease	Heat Stabilized
510217 510218 510219	205 206 207	Polyacrylic	Nye Rheotemp 500 30% +/- 5% Fill	Yes – 325 F
510449 516440 516648	203 202 307	Buna N	Exxon Polyrex Grease	NO
516840 516841 516842 516843 516844 516845 516846 516847	206 207 208 210 309 310 311 313	Buna N	Exxon Polyrex Grease	NO

## Troubleshooting

		POSSIBLE CAUSE	OUT OF WARRANTY REMEDY ***
IMPELLER DOES NOT TURN	Humming Sound	<ol style="list-style-type: none"> <li>* One phase of power line not connected</li> <li>* One phase of stator winding open</li> <li>Bearings defective</li> <li>Impeller jammed by foreign material</li> <li>Impeller jammed against housing or cover</li> <li>** Capacitor open</li> </ol>	<ol style="list-style-type: none"> <li>Connect</li> <li>Rewind or buy new motor</li> <li>Change bearings</li> <li>Clean and add filter</li> <li>Adjust</li> <li>Change capacitor</li> </ol>
	No Sound	<ol style="list-style-type: none"> <li>* Two phases of power line not connected</li> <li>* Two phases of stator winding open</li> </ol>	<ol style="list-style-type: none"> <li>Connect</li> <li>Rewind or buy new motor</li> </ol>
IMPELLER TURNS	Blown Fuse	<ol style="list-style-type: none"> <li>Insufficient fuse capacity</li> <li>Short circuit</li> </ol>	<ol style="list-style-type: none"> <li>Use time delay fuse of proper rating</li> <li>Repair</li> </ol>
	Motor Overheated Or Protector Trips	<ol style="list-style-type: none"> <li>High or low voltage</li> <li>* Operating in single phase condition</li> <li>Bearings defective</li> <li>Impeller rubbing against housing or cover</li> <li>Impeller or air passage clogged by foreign material</li> <li>Unit operating beyond performance range</li> <li>Capacitor shorted</li> <li>* One phase of stator winding short circuited</li> </ol>	<ol style="list-style-type: none"> <li>Check input voltage</li> <li>Check connections</li> <li>Check bearings</li> <li>Adjust</li> <li>Clean and add filter</li> <li>Reduce system pressure/vacuum</li> <li>Change capacitor</li> <li>Rewind or buy new motor</li> </ol>
	Abnormal Sound	<ol style="list-style-type: none"> <li>Impeller rubbing against housing or cover</li> <li>Impeller or air passages clogged by foreign material</li> <li>Bearings defective</li> </ol>	<ol style="list-style-type: none"> <li>Adjust</li> <li>Clean and add filter</li> <li>Change bearings</li> </ol>
	Performance Below Standard	<ol style="list-style-type: none"> <li>Leak in piping</li> <li>Piping and air passages clogged</li> <li>Impeller rotation reversed</li> <li>Leak in blower</li> <li>Low voltage</li> </ol>	<ol style="list-style-type: none"> <li>Tighten</li> <li>Clean</li> <li>Check wiring</li> <li>Tighten cover, flange</li> <li>Check input voltage</li> </ol>
<p>* 3 phase units  ** 1 phase units  *** Disassembly and repair of new blowers or motors will void the Rotron warranty. Factory should be contacted prior to any attempt to field repair an in-warranty unit.</p>			

### **Blower Disassembly:**

**WARNING:** Attempting to repair or diagnose a blower may void Rotron's warranty. It may also be difficult to successfully disassemble and reassemble the unit.

- 1) Disconnect the power leads. **CAUTION:** Be sure the power is disconnected before doing any work whatsoever on the unit.
- 2) Remove or separate piping and/or mufflers and filters from the unit.
- 3) Remove the cover bolts and then the cover. **NOTE:** Some units are equipped with seals. It is mandatory that these seals be replaced once the unit has been opened.
- 4) Remove the impeller bolt and washers and then remove the impeller. **NOTE:** Never pry on the edges of the impeller. Use a puller as necessary.
- 5) Carefully note the number and location of the shims. Remove and set them aside. **NOTE:** If the disassembly was for inspection and cleaning the unit may now be reassembled by reversing the above steps. If motor servicing or replacement and/or impeller replacement is required the same shims may not be used. It will be necessary to re-shim the impeller according to the procedure explained under assembly.

- 6) Remove the housing bolts and remove the motor assembly (arbor/housing on remote drive models).
- 7) Arbor disassembly (Applicable on remote drive models only):
  - a) Slide the bearing retraining sleeve off the shaft at the blower end.
  - b) Remove the four (4) screws and the bearing retaining plate from the blower end.
  - c) Lift the shaft assembly far enough out of the arbor to allow removal of the blower end snap ring.
  - d) Remove the shaft assembly from the arbor.
  - e) If necessary, remove the shaft dust seal from the pulley end of the arbor.

*Muffler Material Replacement:*

- 1) Remove the manifold cover bolts and them manifold cover.
- 2) The muffler material can now be removed and replaced if necessary. On blowers with fiberglass acoustical wrap the tubular retaining screens with the fiberglass matting before sliding the muffler pads over the screens.
- 3) Reassemble by reversing the procedure.

**NOTE: On DR068 models with tubular mufflers it is necessary to remove the cover and impeller accessing the muffler material from the housing cavity.**

*Blower Reassembly:*

- 1) Place the assembled motor (assembled arbor assembly for remote drive models) against the rear of the housing and fasten with the bolts and washer.
- 2) To ensure the impeller is centered within the housing cavity re-shim the impeller according to the procedure outlined below.
- 3) If blower had a seal replace the seal with a new one.
- 4) Place the impeller onto the shaft making sure the shaft key is in place and fasten with the bolt, washer and spacer as applicable. Torque the impeller bolt per the table below. Once fastened carefully rotate the impeller to be sure it turns freely.
- 5) Replace the cover and fasten with bolts.
- 6) Reconnect the power leads to the motor per the motor nameplate.

<b>Bolt Size</b>	<b>Torque Pound-Force-Foot</b>
<b>1/4-20</b>	<b>6.25 +/- 0.25</b>
<b>5/16-18</b>	<b>11.5 +/- 0.25</b>
<b>3/8-16</b>	<b>20.0 +/- 0.5</b>
<b>1/2-13</b>	<b>49.0 +/- 1</b>
<b>5/8 -11</b>	<b>90.0 +/- 2</b>

*Impeller Shimming Procedure:*

WARNING: This unit may be difficult to shim. Extreme care may be exercised.

Tools Needed: Machinist's Parallel Bar  
Vernier Caliper with depth measuring capability  
Feeler gauges or depth gauge

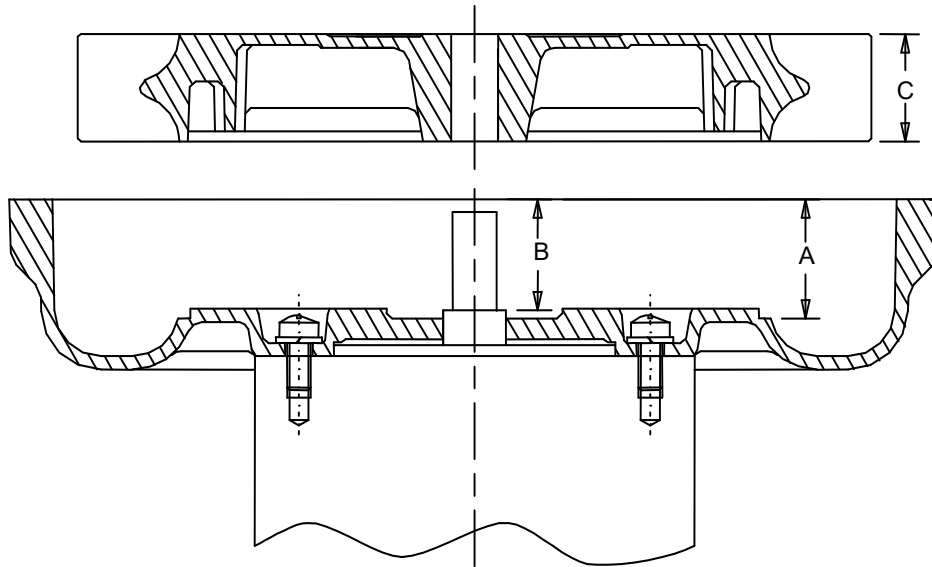
Measure the Following:

- Distance from the flange face to the housing (A)
- Distance from the flange face to the motor shaft shoulder (B)
- Impeller Thickness (C)

Measurements (A) and (B) are made by laying the parallel bar across the housing flange face and measuring to the proper points. Each measurement should be made at three points, and the average of the readings should be used.

$$\text{Shim Thickness} = B - (A+C)/2$$

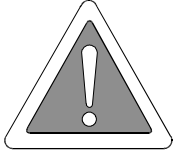
After the impeller installation (step #4 above) the impeller/cover clearance can be checked with feeler gauges, laying the parallel bar across the housing flange face. This clearance should nominally be (A-C)/2.



# AMETEK Dynamic Fluid Solutions .

100 East Erie St., Kent, Ohio 44240  
Telephone: 330-673-3452 Fax: 330-677-3306  
email: [dfs.information@ametek.com](mailto:dfs.information@ametek.com)  
internet: [www.ametekdfs.com](http://www.ametekdfs.com)

## EXPLOSION-PROOF BLOWERS



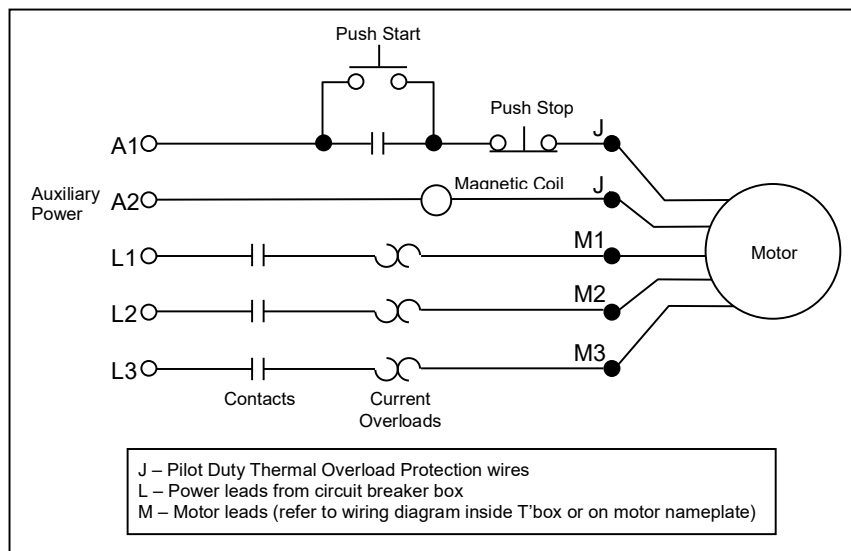
**IMPORTANT:** Read before wiring this Explosion-proof Blower

This AMETEK Rotron Explosion-proof Regenerative Blower may be equipped with Pilot Duty Thermal Overload (PDTO) or Automatic Thermal Overload (ATO) protection. When properly wired to a motor starter, this protection limits the motor winding temperature rise per the National Electric Code (NEC) article 500. Failure to properly wire this blower is an NEC violation and could cause an explosion. AMETEK Rotron assumes no responsibilities for damages incurred by negligent use of this product, and will not warranty a blower on which the PDTO is not properly connected. Some blowers 1 HP and under do not require PDTO and have built in ATO. Consult the factory if verification of wiring connections is required.

In all cases, follow the motor controller manufacturer's instructions. The following schematic is for conceptual understanding only, and may not apply to all motor/controller combinations.

The manufacturer's wiring diagram found on the motor takes precedent over reference diagrams supplied by AMETEK Rotron Technical Motor Division.

### Schematic



The schematic is shown for a three phase motor. For a single phase motor disregard L3 and M3. Pushing the START button completes the auxiliary control circuit, allowing current to flow through the magnetic coil. The contacts are magnetically closed, starting the motor and latching the auxiliary circuit. The motor will continue to run until the STOP push button is depressed, the motor reaches the overload temperature, or the current sensing overloads trip out.

If you have any questions, contact AMETEK Rotron at 914-246-3401 for the location of your area representative.

## **POLICY REGARDING INSTALLATION OF AMETEK ROTRON REGENERATIVE BLOWERS IN HAZARDOUS LOCATIONS**

AMETEK Rotron will not knowingly specify, design or build any regenerative blower for installation in a hazardous, explosive location without the proper NEMA motor enclosure. AMETEK Rotron does not recognize sealed blowers as a substitute for explosion-proof motors. Sealed units with standard TEFC motors should never be utilized where local, state, and/or federal codes specify the use of explosion-proof equipment.

AMETEK Rotron has a complete line of regenerative blowers with explosion-proof motors. Division 1 & 2, Class I, Group D; Class II, Groups F & G requirements are met with these standard explosion-proof blowers.

AMETEK Rotron will not knowingly specify, design or build any regenerative blower for installation in a hazardous, corrosive environment without the proper surface treatment and sealing options.

AMETEK Rotron has a complete line of Chemical Processing and Nasty Gas™ regenerative blowers with Chem-Tough™, stainless steel parts, and seals.

AMETEK Rotron offers general application guidance; however, suitability of the particular blower selection is ultimately the responsibility of the purchaser, not the manufacturer of the blower.

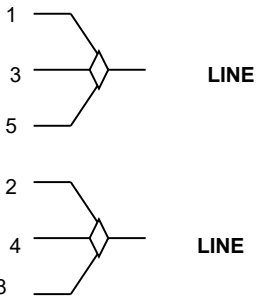
FS2 Rev B 3/10/98



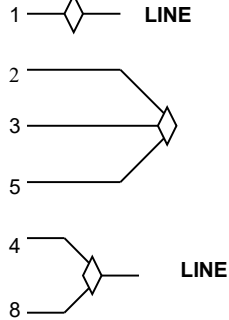
# WIRING DIAGRAMS, XP MOTORS

## H. 1Ø, 6 WIRE

**115 VAC**



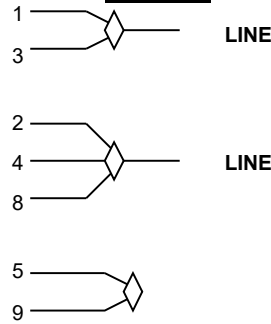
**230 VAC**



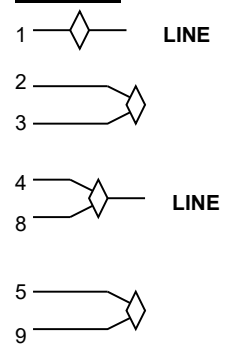
INTERCHANGE LEADWIRES 5 & 8 to REVERSE ROTATION

## I. 1Ø, 7 WIRE

**115 VAC**



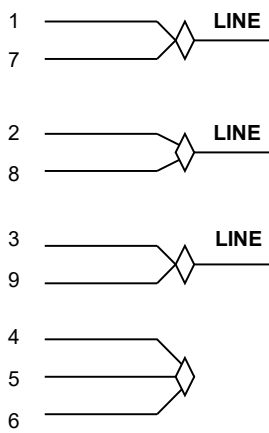
**230 VAC**



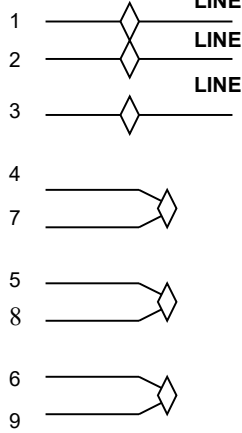
INTERCHANGE LEADWIRES 5 & 8 to REVERSE ROTATION

## K. 3Ø, 9 WIRE

**230 VAC**

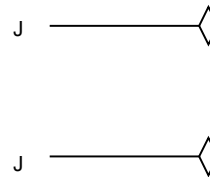


**460 VAC**



INTERCHANGE ANY TWO LEAD LINES TO REVERSE ROTATION

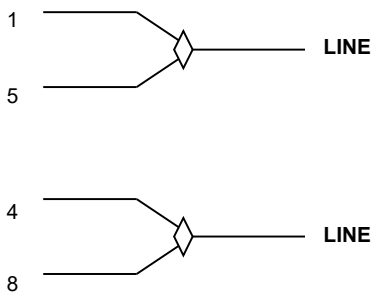
## L. PILOT DUTY THERMAL OVERLOADS



HOOK J LEADS TO CONTROL CIRCUITRY

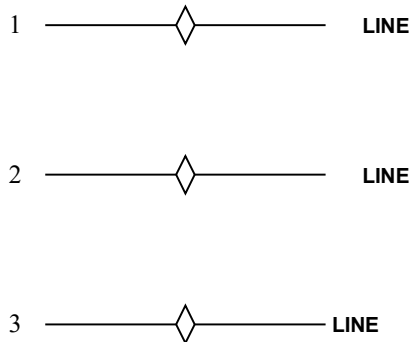
## M. 1Ø 230 VAC

SINGLE VOLTAGE



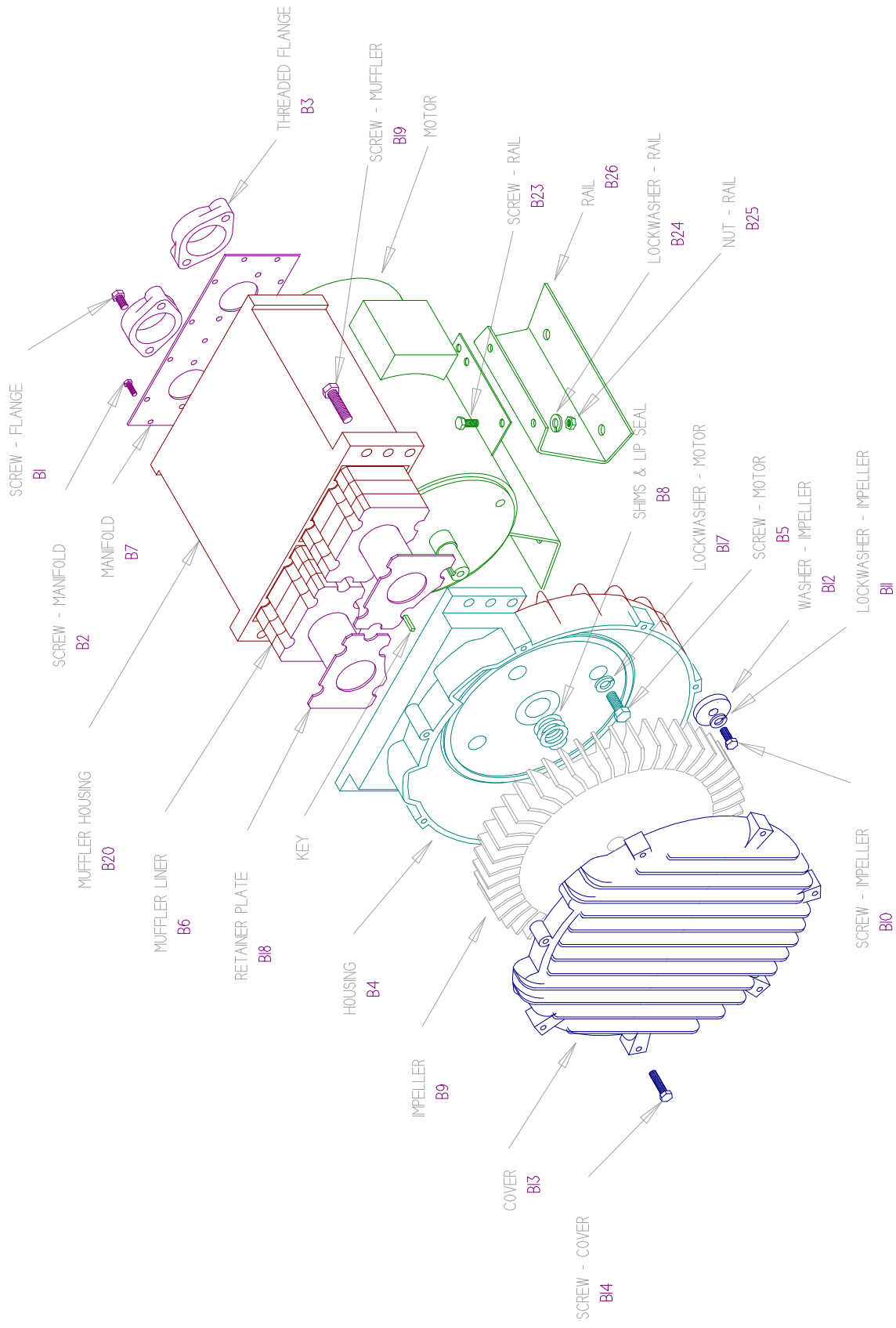
INTERCHANGE LEADWIRES 5 & 8 TO REVERSE ROTATION

## N. 3Ø 575 VAC



INTERCHANGE ANY TWO LEAD LINES TO REVERSE ROTATION

# ASSEMBLY DIAGRAM EN707 – EN808 SINGLE PHASE



**EN 707/808**

**Service and Parts Manual**

Model:

Part No.:

Rev A 1/30/03

**Parts Breakdown**

EN707FL5WL EN808FL5WL

EN707FL5MWL  
038712

038480

038481

**OBSOLETE**

**OBSOLETE**

Item No.	Qty. Req'd	Description		
M3	1	Key Motor Shaft	510212	510632 510212
B1	4	Screw, Flange	155095	155025 155067
B2		Screw, Manifold	(13 pcs) 120214	120214 Not Used
B3	2	Flange	511480	511614 511614
B4	1	Screen, Flange Guard	Not Used	Not Used Not Used
B5	4	Housing	516752	516760 516752
B6	7	Screw, Hsg /Motor	251792	251792 251792
B7	1	Muffler Material (Gray)	(40 pcs) 515493	515405 551720
B8	*	Muffler Material (White)	Not Used	Not Used 551721
	*	Manifold Plate	551264	523432 Not Used
	*	Shim .002"	272703	272703 272703
	*	Shim .005"	272704	272704 272704
	*	Shim .010"	272705	272705 272705
	*	Shim .020"	272706	272706 272706
	*	Shim .030"	Not Used	Not Used Not Used
B9	1	Impeller	515461	516453 515461
B10	1	Bolt, Impeller	251791	155095 251791
B11	1	Lockwasher, Impeller	251787	251787 251787
B12		Washer, Impeller	Not Used	Not Used Not Used
B13	1	Cover	515462	516447 515462
B14	7	Screw, Cover	(7 pcs) 120215	140016 155236
B15	1	Eye Bolt	Not Used	Not Used Not Used
B16	1	Spacer, Impeller Bolt	478336	478336 478336
B17		Shaft Sleeve	Not Used	Not Used Not Used
B18	1	Lockwasher, Housing	Not Used	Not Used Not Used
B19	1	Screen, Muffler Retaining, Right (**)	515492	515604 551723
B19A	6	Screen, Muffler Retaining, Left (**)	515491	515603 551723
B20	4	Bolt, Muffler Hsg/Hsg	120251	155025 120251
	4	Bolt, Muffler Hsg/Hsg	Not Used	Not Used 120214
	1	Muffler	515481	515606 550024

\* As needed \*\*Viewed looking at inlet/outlet ports

	Muffler Discrete	Not Used	Not Used	Not Used
	Bolt, Motor/Muffler	Not Used	Not Used	Not Used
4	Lockwasher, Motor/Muffler	Not Used	Not Used	Not Used
4	Washer, Motor/Muffler	Not Used	Not Used	Not Used
	Spacer, Motor/Muffler	Not Used	Not Used	Not Used
	Heat Slinger	Not Used	Not Used	Not Used
B22	Guard Heat Slinger	Not Used	Not Used	Not Used
B23	Bolt, Mounting Rail	120129	120129	120129
B24	Lockwasher, Rail	251787	251787	251787
B25	Nut, Rail	251789	251789	251789
B26	Rail Mounting	595301	595301	595301
1	Lip Seal	516691	516691	516691

Model			Specific Parts	Bearing, Rear (M1)	Bearing, Impeller End (M2)
EN707FL5MWL	038712			516840	516648
EN757FL5WL	081333		B5A 155091	516840	516648
EN808FL5MWL	081231		B19 Washer 155029 4 pcs Lockwasher 120203 4 pcs	516840	516648
<b>Discontinued</b>					
<b>EN707FL5WL</b>	<b>038480</b>			516840	516648
<b>EN808FL5WL</b>	<b>038481</b>		Eyebolt 140019	516840	516648
<b>EN808FL5MWL</b>	<b>038732</b>		B19 Washer 155029 4 pcs Lockwasher 120203 4 pcs	516840	516648

\* As needed \*\*Viewed looking at inlet/outlet ports

**Parts Breakdown**

EN757FL5WL      EN808FL5MWL      EN808FL5MWL  
 081333                      038732                      081231

**OBSOLETE**

Item No.	Qty. Req'd	Description	510212	510632	510632
M3	1	Key Motor Shaft			510632
B1	4	Screw, Flange	155067	155067	155067
B2		Screw, Manifold	Not Used	Not Used	Not Used
B3	2	Flange	511614	511614	511614
		Screen, Flange Guard	Not Used	Not Used	Not Used
B4	1	Housing	552037	550083	516766
B5	4	Screw, Hsg /Motor	251792	251792	251792
B6	7	Muffler Material (Gray)	(7 pcs) 552044	551736	551736
		Muffler Material (White)	(2 pcs) 552045	(2) 551737	(2) 551737
B7	1	Manifold Plate	Not Used	Not Used	Not Used
B8	*	Shim .002"	272703	272703	272703
	*	Shim .005"	272704	272704	272704
	*	Shim .010"	272705	272705	272705
	*	Shim .020"	272706	272706	272706
	*	Shim .030"	Not Used	Not Used	Not Used
B9	1	Impeller	552036	550072	552075
B10	1	Bolt, Impeller	120129	155095	155095
B11	1	Lockwasher, Impeller	281787	251787	251787
B12		Washer, Impeller	Not Used	Not Used	511529
B13	1	Cover	552023	516447	552061
B14	7	Screw, Cover	(9 pcs) 155236	(8 pcs) 140016	(8 pcs) 140016
B15	1	Eye Bolt	Not Used	140019	140019
B16	1	Spacer, Impeller Bolt	478336	478336	478336
		Shaft Sleeve	Not Used	Not Used	Not Used
B17		Lockwasher, Housing	Not Used	Not Used	Not Used
B18	1	Screen, Muffler Retaining, Right (**)	552046	551723	551723
	1	Screen, Muffler Retaining, Left (**)	552046	551723	551723
B19	6	Bolt, Muffler Hsg/Hsg	120007	155025	155025
B19A	4	Bolt, Muffler Hsg/Hsg	Not Used	120262	120214
B20	1	Muffler	552018	550019	550019

\* As needed \*\*Viewed looking at inlet/outlet ports

	Muffler Discrete	Not Used	Not Used	Not Used
	Bolt, Motor/Muffler	Not Used	Not Used	Not Used
4	Lockwasher, Motor/Muffler	Not Used	120203	Not Used
4	Washer, Motor/Muffler	Not Used	155029	Not Used
	Spacer, Motor/Muffler	Not Used	Not Used	Not Used
B21	Heat Slinger	Not Used	Not Used	Not Used
B22	Guard Heat Slinger	Not Used	Not Used	Not Used
B23	Bolt, Mounting Rail	120129	120129	120007
B24	Lockwasher, Rail	251787	251787	251787
B25	Nut, Rail	251789	251789	(6 pcs) 251789
B26	Rail Mounting	595301	595301	595301
1	Lip Seal	516691	516691	516691

\* As needed \*\*Viewed looking at inlet/outlet ports