

# SERVICE AND PARTS MANUAL FOR BLOWER MODEL

## DR707 – DR808



**AMETEK**

AMETEK Dynamic Fluid Solutions  
100 East Erie St., Kent, Ohio 44240  
Telephone: 330-673-3452 Fax: 330-677-3306  
email: [dfs.information@ametek.com](mailto:dfs.information@ametek.com)  
internet: [www.ametekdfs.com](http://www.ametekdfs.com)

**Your Choice. Our Commitment.™**

# WARRANTY, INSTALLATION, MAINTENANCE AND TROUBLESHOOTING INSTRUCTIONS



AMETEK Dynamic Fluid Solutions  
100 East Erie St., Kent, Ohio 44240  
Telephone: 330-673-3452 Fax: 330-677-3306  
email: [dfs.information@ametek.com](mailto:dfs.information@ametek.com)  
internet: [www.ametekdfs.com](http://www.ametekdfs.com)

1. AMETEK Rotron DR, EN and HiE regenerative direct drive blowers are guaranteed for one full year from the date of installation (limited to 18 months from the date of shipment) to the original purchaser only. Should the blower fail we will evaluate the failure. If failure is determined to be workmanship or material defect related, we will at our option repair or replace the blower.
2. AMETEK Rotron Minispiral, Revaflow, Multiflow, Nautilair, remote drive blowers, moisture separators, packaged units, CP blowers, Nasty Gas™ models and special built (EO) products are guaranteed for one full year from date of shipment for workmanship and material defect to the original purchaser only. Should the blower fail, If failure is determined to be workmanship or material defect related, we will at our option repair or replace the blower.
3. **Parts Policy** - AMETEK Rotron spare parts and accessories are guaranteed for three months from date of shipment for workmanship and material defect to the original purchaser only. If failure is determined to be workmanship or material defect related we will at our option repair or replace the part.

**Corrective Action** - A written report will be provided indicating reason(s) for failure, with suggestions for corrective action. Subsequent customer failures due to abuse, misuse, misapplication or repeat offense will not be covered. AMETEK Rotron will then notify you of your options. Any failed unit that is tampered with by attempting repair or diagnosis will void the warranty, unless authorized by the factory.

**Terms and Conditions** - Our warranty covers repairs or replacement of regenerative blowers only, and will not cover labor for installation, outbound and inbound shipping costs, accessories or other items not considered integral blower parts. Charges may be incurred on products returned for reasons other than failures covered by their appropriate warranty. Out-of-warranty product and in warranty product returned for failures determined to be caused by abuse, misuse, or repeat offense will be subject to an evaluation charge. Maximum liability will in no case exceed the value of the product purchased. Damage resulting from mishandling during shipment is not covered by this warranty. It is the responsibility of the purchaser to file claims with the carrier. Other terms and conditions of sale are stated on the back of the order acknowledgement.

## Installation Instructions for SL, DR, EN, CP, and HiE Series Blowers

1. **Bolt It Down** - Any blower must be secured against movement prior to starting or testing to prevent injury or damage. The blower does not vibrate much more than a standard electric motor.
2. **Filtration** - All blowers should be filtered prior to starting. Care must be taken so that no foreign material enters the blower. If foreign material does enter the blower, it could cause internal damage or may exit at extremely high velocity.

Should excessive amounts of material pass through the blower, it is suggested that the cover(s) and impeller(s) be removed periodically and cleaned to avoid impeller imbalance. Impeller

imbalance greatly speeds bearing wear, thus reducing blower life. Disassembling the blower will void warranty, so contact the factory for cleaning authorization.

- Support the Piping** - The blower flanges and nozzles are designed as connection points only and are not designed to be support members.

Caution: Plastic piping should not be used on blowers larger than 1 HP that are operating near their maximum pressure or suction point. Blower housing and nearby piping temperatures can exceed 200°F. Access by personnel to the blower or nearby piping should be limited, guarded, or marked, to prevent danger of burns.

- Wiring** - Blowers must be wired and protected/fused in accordance with local and national electrical codes. All blowers must be grounded to prevent electrical shock. Slo-Blo or time delay fuses should be used to bypass the first second of start-up amperage.
- Pressure/Suction Maximums** - The maximum pressure and/or suction listed on the model label should not be exceeded. This can be monitored by means of a pressure or suction gage (available from Rotron), installed in the piping at the blower outlet or inlet. Also, if problems do arise, the Rotron Field representative will need to know the operating pressure/suction to properly diagnose the problem.
- Excess Air** - Bleed excess air off. DO NOT throttle to reduce flow. When bleeding off excess air, the blower draws less power and runs cooler.

**Note:** Remote Drive (Motorless) Blowers - Properly designed and installed guards should be used on all belts, pulleys, couplings, etc. Observe maximum remote drive speed allowable. Due to the range of uses, drive guards are the responsibility of the customer or user. Belts should be tensioned using belt gauge.

Maintenance Procedure

**When properly piped, filtered, and applied, little or no routine maintenance is required. Keep the filter clean. Also, all standard models in the DR, EN, CP, and HiE series have sealed bearings that require no maintenance. Bearing should be changed after 15,000 to 20,000 hours, on average. Replacement bearing information is specified on the chart below.**

Bearing Part Number	Size	Seal Material	Grease	Heat Stabilized
510217 510218 510219	205 206 207	Polyacrylic	Nye Rheotemp 500 30% +/- 5% Fill	Yes – 325 F
510449 516440 516648	203 202 307	Buna N	Exxon Polyrex Grease	NO
516840 516841 516842 516843 516844 516845 516846 516847	206 207 208 210 309 310 311 313	Buna N	Exxon Polyrex Grease	NO

## Troubleshooting

		POSSIBLE CAUSE	OUT OF WARRANTY REMEDY ***
IMPELLER DOES NOT TURN	Humming Sound	<ol style="list-style-type: none"> <li>* One phase of power line not connected</li> <li>* One phase of stator winding open</li> <li>Bearings defective</li> <li>Impeller jammed by foreign material</li> <li>Impeller jammed against housing or cover</li> <li>** Capacitor open</li> </ol>	<ol style="list-style-type: none"> <li>Connect</li> <li>Rewind or buy new motor</li> <li>Change bearings</li> <li>Clean and add filter</li> <li>Adjust</li> <li>Change capacitor</li> </ol>
	No Sound	<ol style="list-style-type: none"> <li>* Two phases of power line not connected</li> <li>* Two phases of stator winding open</li> </ol>	<ol style="list-style-type: none"> <li>Connect</li> <li>Rewind or buy new motor</li> </ol>
IMPELLER TURNS	Blown Fuse	<ol style="list-style-type: none"> <li>Insufficient fuse capacity</li> <li>Short circuit</li> </ol>	<ol style="list-style-type: none"> <li>Use time delay fuse of proper rating</li> <li>Repair</li> </ol>
	Motor Overheated Or Protector Trips	<ol style="list-style-type: none"> <li>High or low voltage</li> <li>* Operating in single phase condition</li> <li>Bearings defective</li> <li>Impeller rubbing against housing or cover</li> <li>Impeller or air passage clogged by foreign material</li> <li>Unit operating beyond performance range</li> <li>Capacitor shorted</li> <li>* One phase of stator winding short circuited</li> </ol>	<ol style="list-style-type: none"> <li>Check input voltage</li> <li>Check connections</li> <li>Check bearings</li> <li>Adjust</li> <li>Clean and add filter</li> <li>Reduce system pressure/vacuum</li> <li>Change capacitor</li> <li>Rewind or buy new motor</li> </ol>
	Abnormal Sound	<ol style="list-style-type: none"> <li>Impeller rubbing against housing or cover</li> <li>Impeller or air passages clogged by foreign material</li> <li>Bearings defective</li> </ol>	<ol style="list-style-type: none"> <li>Adjust</li> <li>Clean and add filter</li> <li>Change bearings</li> </ol>
	Performance Below Standard	<ol style="list-style-type: none"> <li>Leak in piping</li> <li>Piping and air passages clogged</li> <li>Impeller rotation reversed</li> <li>Leak in blower</li> <li>Low voltage</li> </ol>	<ol style="list-style-type: none"> <li>Tighten</li> <li>Clean</li> <li>Check wiring</li> <li>Tighten cover, flange</li> <li>Check input voltage</li> </ol>
<p>* 3 phase units  ** 1 phase units  *** Disassembly and repair of new blowers or motors will void the Rotron warranty. Factory should be contacted prior to any attempt to field repair an in-warranty unit.</p>			

### **Blower Disassembly:**

**WARNING:** Attempting to repair or diagnose a blower may void Rotron's warranty. It may also be difficult to successfully disassemble and reassemble the unit.

- 1) Disconnect the power leads. **CAUTION:** Be sure the power is disconnected before doing any work whatsoever on the unit.
- 2) Remove or separate piping and/or mufflers and filters from the unit.
- 3) Remove the cover bolts and then the cover. **NOTE:** Some units are equipped with seals. It is mandatory that these seals be replaced once the unit has been opened.
- 4) Remove the impeller bolt and washers and then remove the impeller. **NOTE:** Never pry on the edges of the impeller. Use a puller as necessary.
- 5) Carefully note the number and location of the shims. Remove and set them aside. **NOTE:** If the disassembly was for inspection and cleaning the unit may now be reassembled by reversing the above steps. If motor servicing or replacement and/or impeller replacement is required the same shims may not be used. It will be necessary to re-shim the impeller according to the procedure explained under assembly.

- 6) Remove the housing bolts and remove the motor assembly (arbor/housing on remote drive models).
- 7) Arbor disassembly (Applicable on remote drive models only):
  - a) Slide the bearing retraining sleeve off the shaft at the blower end.
  - b) Remove the four (4) screws and the bearing retaining plate from the blower end.
  - c) Lift the shaft assembly far enough out of the arbor to allow removal of the blower end snap ring.
  - d) Remove the shaft assembly from the arbor.
  - e) If necessary, remove the shaft dust seal from the pulley end of the arbor.

*Muffler Material Replacement:*

- 1) Remove the manifold cover bolts and them manifold cover.
- 2) The muffler material can now be removed and replaced if necessary. On blowers with fiberglass acoustical wrap the tubular retaining screens with the fiberglass matting before sliding the muffler pads over the screens.
- 3) Reassemble by reversing the procedure.

**NOTE: On DR068 models with tubular mufflers it is necessary to remove the cover and impeller accessing the muffler material from the housing cavity.**

*Blower Reassembly:*

- 1) Place the assembled motor (assembled arbor assembly for remote drive models) against the rear of the housing and fasten with the bolts and washer.
- 2) To ensure the impeller is centered within the housing cavity re-shim the impeller according to the procedure outlined below.
- 3) If blower had a seal replace the seal with a new one.
- 4) Place the impeller onto the shaft making sure the shaft key is in place and fasten with the bolt, washer and spacer as applicable. Torque the impeller bolt per the table below. Once fastened carefully rotate the impeller to be sure it turns freely.
- 5) Replace the cover and fasten with bolts.
- 6) Reconnect the power leads to the motor per the motor nameplate.

Bolt Size	Torque Pound-Force-Foot
<b>1/4-20</b>	<b>6.25 +/- 0.25</b>
<b>5/16-18</b>	<b>11.5 +/- 0.25</b>
<b>3/8-16</b>	<b>20.0 +/- 0.5</b>
<b>1/2-13</b>	<b>49.0 +/- 1</b>
<b>5/8 -11</b>	<b>90.0 +/- 2</b>

*Impeller Shimming Procedure:*

WARNING: This unit may be difficult to shim. Extreme care may be exercised.

Tools Needed: Machinist's Parallel Bar  
Vernier Caliper with depth measuring capability  
Feeler gauges or depth gauge

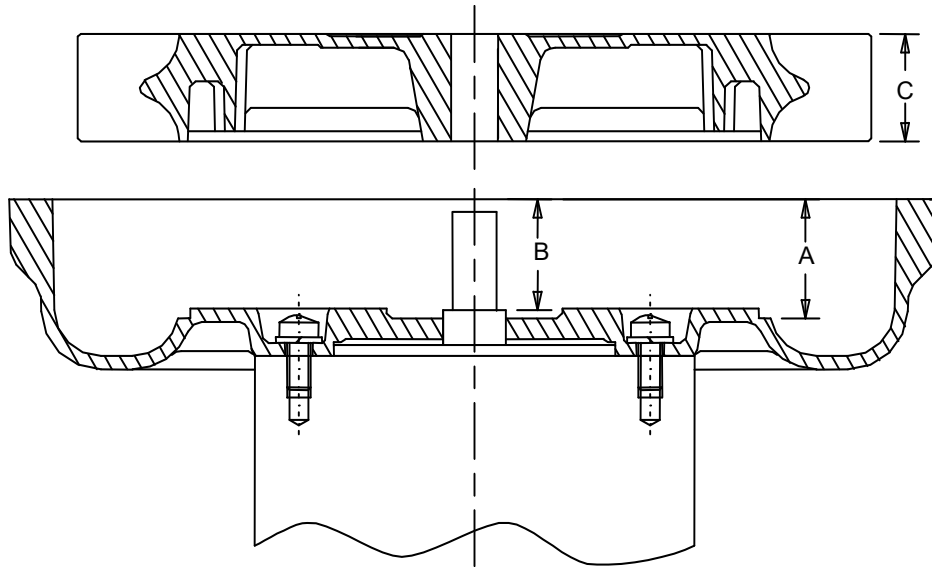
Measure the Following:

- Distance from the flange face to the housing (A)
- Distance from the flange face to the motor shaft shoulder (B)
- Impeller Thickness (C)

Measurements (A) and (B) are made by laying the parallel bar across the housing flange face and measuring to the proper points. Each measurement should be made at three points, and the average of the readings should be used.

$$\text{Shim Thickness} = B - (A+C)/2$$

After the impeller installation (step #4 above) the impeller/cover clearance can be checked with feeler gauges, laying the parallel bar across the housing flange face. This clearance should nominally be  $(A-C)/2$ .

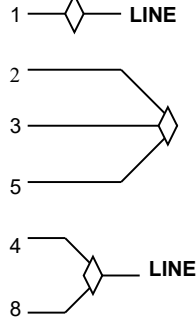
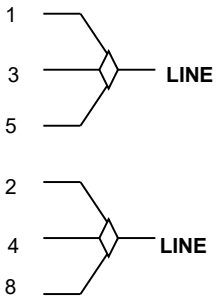


# WIRING DIAGRAMS, TEFC and ODP MOTORS

## A. 1Ø, 6 WIRE

**115 VAC**

**230 VAC**

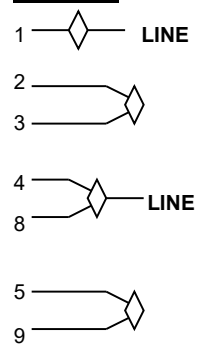
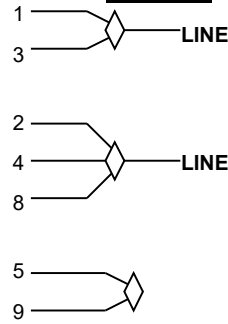


INTERCHANGE LEADWIRES 5 & 8 to REVERSE ROTATION

## B. 1Ø, 7 WIRE

**115 VAC**

**230 VAC**

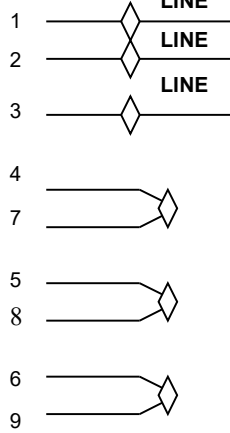
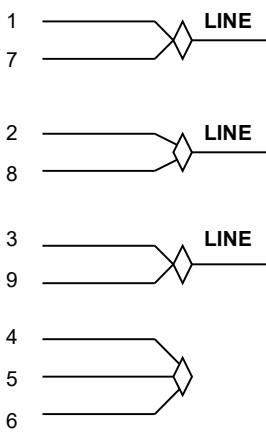


INTERCHANGE LEADWIRES 5 & 8 to REVERSE ROTATION

## C. 3Ø, 9 WIRE

**230 VAC**

**460 VAC**

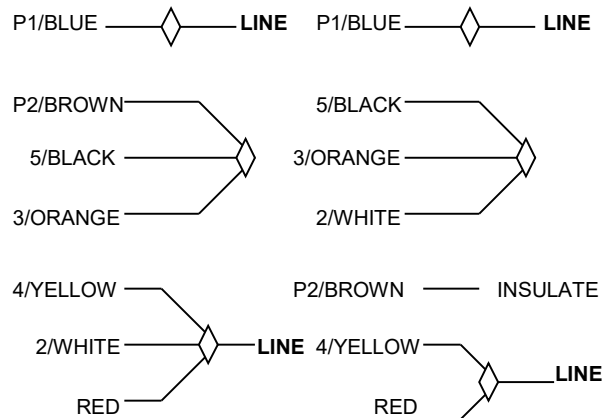


INTERCHANGE ANY TWO LEAD LINES TO REVERSE ROTATION

## D. 1Ø, EMERSON 1/8 HP MOTOR

**115 VAC**

**230 VAC**

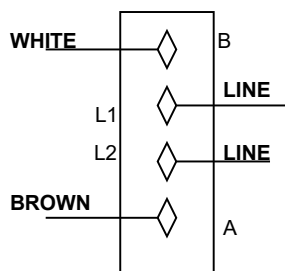
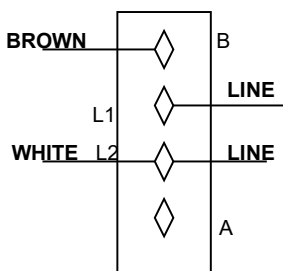


INTERCHANGE RED AND BLACK TO REVERSE ROTATION

## E. 1Ø, SPA DUTY WITH TERMINAL STRIPS

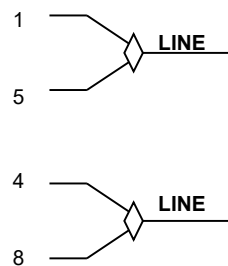
**LOW 115 VAC**

**HIGH 230 VAC**



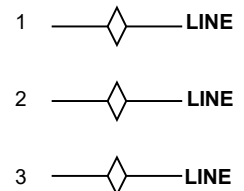
## F. 1Ø, 230 VAC

**SINGLE VOLTAGE**



INTERCHANGE LEAD WIRES 5 & 8 TO REVERSE ROTATION

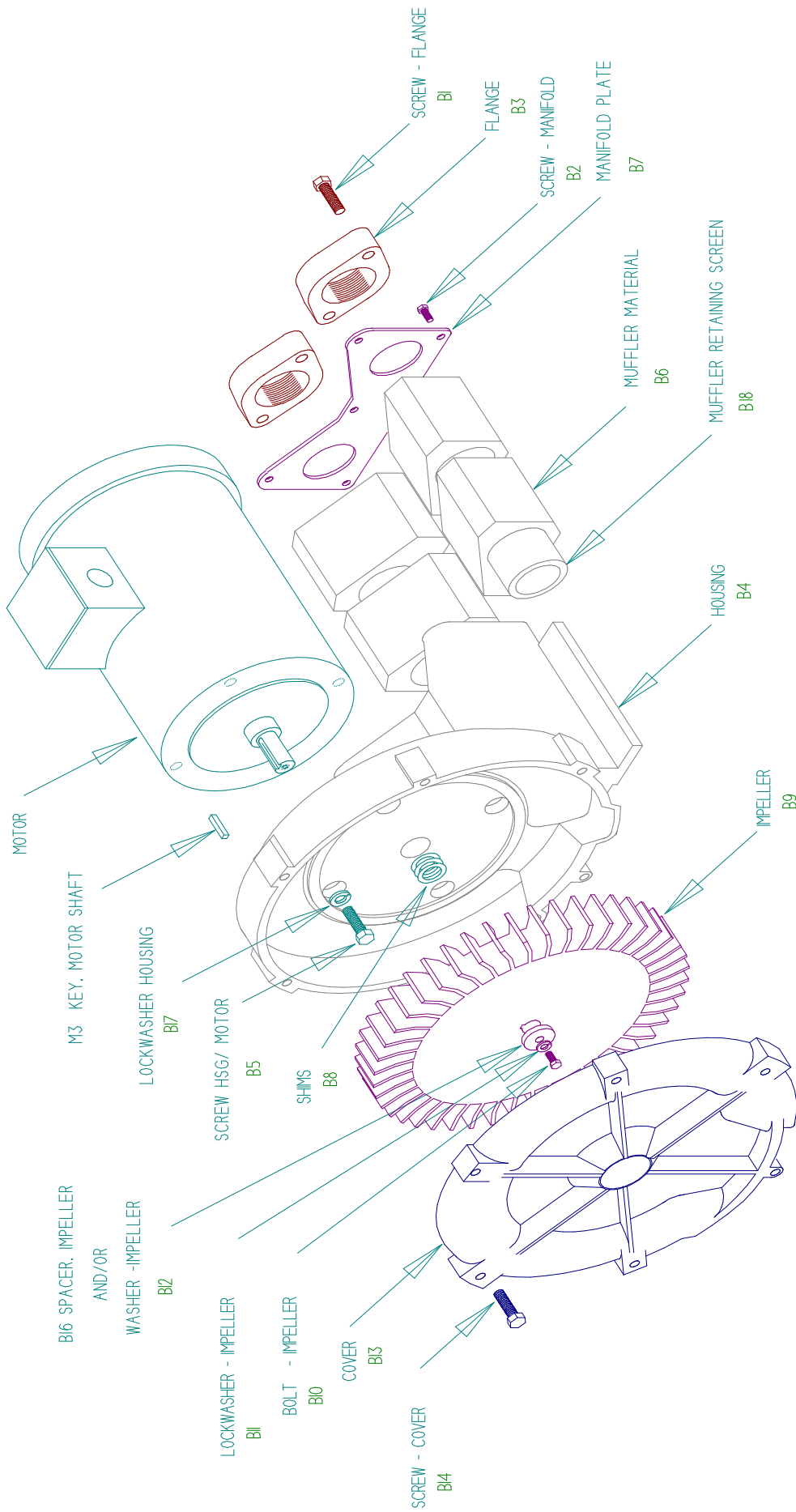
## G. 3Ø, 575 VAC



INTERCHANGE ANY TWO LEAD LINES TO REVERSE ROTATION

# ASSEMBLY DIAGRAM

## DR707 - DR808





**DR 707/808, HIE707  
Service and Parts Manual**

**Parts Breakdown**

Model:

Part No.:

DR707      DR757      DR757      DR808      DR808  
**038704**      **081172**      **081172**      **038722**      **038725**  
**038706**      **081173**      **081173**      **038724**      **038726**  
**038707**                **038728**  
**038708**  
**038709**

Item No.	Qty.	Req'd Description	DR707	DR757	DR757	DR808	DR808	DR808
M3	1	Key Motor Shaft	510212	510629	510212	511532	510632	511532
B1	4	Screw, Flange	155067	155067	155067	155067	155067	155067
B2		Screw, Manifold	Not Used	Not Used	Not Used	Not Used	Not Used	Not Used
B3	2	Flange	511614	511614	511614	511614	511614	511614
B4	1	Screen, Flange Guard	Not Used	Not Used	Not Used	Not Used	Not Used	Not Used
B5	4	Housing	515495	552021	552037	550070	550069	515410
B5A	4	Screw, Hsg/Motor	251792	251791	251792	140014	251792	155034
B6	4	Lockwasher	Not Used	Not Used	Not Used	Not Used	Not Used	155091
B6	7	Muffler Material (Dark Gray)	551720 (6 pcs)	552044 (6 pcs)	552044	551736	551736	551736
B7	1	Muffler Material (White)	551721 (2 pcs)	552045 (2 pcs)	552045	(2) 551737 (2)	551737 (2)	551737
B7		Manifold Plate	Not Used	Not Used	Not Used	Not Used	Not Used	Not Used
B8	*	Shim .002"	272703	510356	272703	511547	272703	511547
B8	*	Shim .005"	272704	510357	272704	511548	272704	511548
B8	*	Shim .010"	272705	510358	272705	511549	272705	511549
B8	*	Shim .020"	272706	510359	272706	511550	272706	511550
B8	*	Shim .030"	Not Used	Not Used	Not Used	Not Used	Not Used	Not Used
B9	1	Impeller	515461	552035	552036	550071	550072	552062
B10	1	Bolt, Impeller	251791	120215	120007	155068	155095	120210
B11	1	Lockwasher, Impeller	251787	120203	251787	251788	251787	251788
B12		Washer, Impeller	Not Used	Not Used	Not Used	Not Used	Not Used	515555
B13	1	Cover	515462	552023	552023	516447	516447	552061
B14	8	Screw, Cover	(7 pcs) 155236 (9 pcs)	155236 (9 pcs)	155236	140016	140016	140016
B15		Eye Bolt	Not Used	Not Used	Not Used	Not Used	Not Used	Not Used
B16	1	Spacer, Impeller Bolt	478336	510355	478336	511529	478336	511529
B16		Shaft Sleeve	Not Used	Not Used	Not Used	Not Used	Not Used	Not Used
B17	4	Lockwasher, Housing	251788	251787	251788	Not Used	Not Used	Not Used

**OBSOLETE**

\*As needed \*\*Viewed looking at inlet/outlet ports

B18	1	Screen, Muffler Retaining, Right (**)	551723	552046	551723	552046	551723	551723	551723	551723
	1	Screen, Muffler Retaining, Left (**)	551723	552046	551723	552046	551723	551723	551723	551723
B19	6	Bolt, Muffler Hsg/Hsg	120251	120007	120007	120007	155025	155025	155025	155025
B19A	4	Bolt, Muffler Hsg/Hsg	Not Used	Not Used	Not Used	Not Used	Not Used	Not Used	Not Used	Not Used
B20	1	Muffler Housing	550023	552017	552017	552017	550017	550017	550017	550017
	2	Bolt, Motor/Muffler	Not Used	Not Used	Not Used	Not Used	Not Used	Not Used	Not Used	Not Used
	2	Lockwasher, Motor/Muffler	Not Used	Not Used	Not Used	Not Used	Not Used	Not Used	Not Used	Not Used
	2	Washer, Motor/Muffler	Not Used	Not Used	Not Used	Not Used	Not Used	Not Used	Not Used	Not Used
		Spacer, Motor/Muffler	Not Used	Not Used	Not Used	Not Used	Not Used	Not Used	Not Used	Not Used

Model	Part No.	Motor	Wiring Diagram	Specific Parts	Bearing, Rear (M1)	Bearing, Impeller End
DR707D89MX	038704	515551	C		510217	510218
DR707D5MX	038706	515908	F			
DR707D86MX	038707	516014	G			
DR707K72MX	038708	515553	C			
DR757CK72X	081172	510895	C		510449	510217
DR757CK86X	081173	511305	G		510449	510217
DR757D89X	081169	515551	C		510217	510218
DR757D86X	081171	516014	G		510217	510218
DR808AY72MX	081222	511570	C		516840	516844
DR808AY86MX	081224	515568	G			
DR808D89MX	081225	515551	C		510217	510218
HiE707D89MX	038709	529610	C		510217	510218
HiE808AY72MX	038728	529599	C		516840	516844
<b>Obsolete units below</b>						
<b>DR808AY72MX</b>	<b>038722</b>	511570	C		516840	516844
<b>DR808AY86MX</b>	<b>038724</b>	515568	G			
<b>DR808D86MX</b>	<b>038726</b>	516014	G			
<b>DR808D89MX</b>	<b>038725</b>	515551	C		510217	510218

\* As needed \*\*Viewed looking at inlet/outlet ports

**DR808**  
**081225**

<u>510632</u>
<u>155067</u>
<u>Not Used</u>
<u>511614</u>
<u>Not Used</u>
<u>515411</u>
<u>251792</u>
<u>155091</u>
<u>551736</u>
<u>(2) 551737</u>
<u>Not Used</u>
<u>272703</u>
<u>272704</u>
<u>272705</u>
<u>272706</u>
<u>Not Used</u>
<u>552075</u>
<u>120255</u>
<u>251787</u>
<u>Not Used</u>
<u>552061</u>
<u>140016</u>
<u>Not Used</u>
<u>478336</u>
<u>Not Used</u>
<u>Not Used</u>

\* As needed \*\*Viewed looking at inlet/outlet ports

551723  
551723  
155025  
155067  
550017  
Not Used  
Not Used  
Not Used  
Not Used