

SERVICE AND PARTS MANUAL FOR BLOWER MODEL

CP707,CP757, CP808



AMETEK Dynamic Fluid Solutions
100 East Erie St., Kent, Ohio 44240
Telephone: 330-673-3452 Fax: 330-677-3306
email: dfs.information@ametek.com
internet: www.ametekdfs.com

Your Choice. Our Commitment.™

WARRANTY, INSTALLATION, MAINTENANCE AND TROUBLESHOOTING INSTRUCTIONS



AMETEK Dynamic Fluid Solutions
100 East Erie St., Kent, Ohio 44240
Telephone: 330-673-3452 Fax: 330-677-3306
email: dfs.information@ametek.com
internet: www.ametekdfs.com

1. AMETEK Rotron DR, EN and HiE regenerative direct drive blowers are guaranteed for one full year from the date of installation (limited to 18 months from the date of shipment) to the original purchaser only. Should the blower fail we will evaluate the failure. If failure is determined to be workmanship or material defect related, we will at our option repair or replace the blower.
2. AMETEK Rotron Minispiral, Revaflow, Multiflow, Nautilair, remote drive blowers, moisture separators, packaged units, CP blowers, Nasty Gas™ models and special built (EO) products are guaranteed for one full year from date of shipment for workmanship and material defect to the original purchaser only. Should the blower fail, If failure is determined to be workmanship or material defect related, we will at our option repair or replace the blower.
3. **Parts Policy** - AMETEK Rotron spare parts and accessories are guaranteed for three months from date of shipment for workmanship and material defect to the original purchaser only. If failure is determined to be workmanship or material defect related we will at our option repair or replace the part.

Corrective Action - A written report will be provided indicating reason(s) for failure, with suggestions for corrective action. Subsequent customer failures due to abuse, misuse, misapplication or repeat offense will not be covered. AMETEK Rotron will then notify you of your options. Any failed unit that is tampered with by attempting repair or diagnosis will void the warranty, unless authorized by the factory.

Terms and Conditions - Our warranty covers repairs or replacement of regenerative blowers only, and will not cover labor for installation, outbound and inbound shipping costs, accessories or other items not considered integral blower parts. Charges may be incurred on products returned for reasons other than failures covered by their appropriate warranty. Out-of-warranty product and in warranty product returned for failures determined to be caused by abuse, misuse, or repeat offense will be subject to an evaluation charge. Maximum liability will in no case exceed the value of the product purchased. Damage resulting from mishandling during shipment is not covered by this warranty. It is the responsibility of the purchaser to file claims with the carrier. Other terms and conditions of sale are stated on the back of the order acknowledgement.

Installation Instructions for SL, DR, EN, CP, and HiE Series Blowers

1. **Bolt It Down** - Any blower must be secured against movement prior to starting or testing to prevent injury or damage. The blower does not vibrate much more than a standard electric motor.
2. **Filtration** - All blowers should be filtered prior to starting. Care must be taken so that no foreign material enters the blower. If foreign material does enter the blower, it could cause internal damage or may exit at extremely high velocity.

Should excessive amounts of material pass through the blower, it is suggested that the cover(s) and impeller(s) be removed periodically and cleaned to avoid impeller imbalance. Impeller

imbalance greatly speeds bearing wear, thus reducing blower life. Disassembling the blower will void warranty, so contact the factory for cleaning authorization.

- Support the Piping** - The blower flanges and nozzles are designed as connection points only and are not designed to be support members.

Caution: Plastic piping should not be used on blowers larger than 1 HP that are operating near their maximum pressure or suction point. Blower housing and nearby piping temperatures can exceed 200°F. Access by personnel to the blower or nearby piping should be limited, guarded, or marked, to prevent danger of burns.

- Wiring** - Blowlers must be wired and protected/fused in accordance with local and national electrical codes. All blowlers must be grounded to prevent electrical shock. Slo-Blo or time delay fuses should be used to bypass the first second of start-up amperage.
- Pressure/Suction Maximums** - The maximum pressure and/or suction listed on the model label should not be exceeded. This can be monitored by means of a pressure or suction gage (available from Rotron), installed in the piping at the blower outlet or inlet. Also, if problems do arise, the Rotron Field representative will need to know the operating pressure/suction to properly diagnose the problem.
- Excess Air** - Bleed excess air off. DO NOT throttle to reduce flow. When bleeding off excess air, the blower draws less power and runs cooler.

Note: Remote Drive (Motorless) Blowlers - Properly designed and installed guards should be used on all belts, pulleys, couplings, etc. Observe maximum remote drive speed allowable. Due to the range of uses, drive guards are the responsibility of the customer or user. Belts should be tensioned using belt gauge.

Maintenance Procedure

When properly piped, filtered, and applied, little or no routine maintenance is required. Keep the filter clean. Also, all standard models in the DR, EN, CP, and HiE series have sealed bearings that require no maintenance. Bearing should be changed after 15,000 to 20,000 hours, on average. Replacement bearing information is specified on the chart below.

Bearing Part Number	Size	Seal Material	Grease	Heat Stabilized
510217 510218 510219	205 206 207	Polyacrylic	Nye Rheotemp 500 30% +/- 5% Fill	Yes – 325 F
510449 516440 516648	203 202 307	Buna N	Exxon Polyrex Grease	NO
516840 516841 516842 516843 516844 516845 516846 516847	206 207 208 210 309 310 311 313	Buna N	Exxon Polyrex Grease	NO

Troubleshooting

		POSSIBLE CAUSE	OUT OF WARRANTY REMEDY ***
IMPELLER DOES NOT TURN	Humming Sound	<ol style="list-style-type: none"> * One phase of power line not connected * One phase of stator winding open Bearings defective Impeller jammed by foreign material Impeller jammed against housing or cover ** Capacitor open 	<ol style="list-style-type: none"> Connect Rewind or buy new motor Change bearings Clean and add filter Adjust Change capacitor
	No Sound	<ol style="list-style-type: none"> * Two phases of power line not connected * Two phases of stator winding open 	<ol style="list-style-type: none"> Connect Rewind or buy new motor
IMPELLER TURNS	Blown Fuse	<ol style="list-style-type: none"> Insufficient fuse capacity Short circuit 	<ol style="list-style-type: none"> Use time delay fuse of proper rating Repair
	Motor Overheated Or Protector Trips	<ol style="list-style-type: none"> High or low voltage * Operating in single phase condition Bearings defective Impeller rubbing against housing or cover Impeller or air passage clogged by foreign material Unit operating beyond performance range Capacitor shorted * One phase of stator winding short circuited 	<ol style="list-style-type: none"> Check input voltage Check connections Check bearings Adjust Clean and add filter Reduce system pressure/vacuum Change capacitor Rewind or buy new motor
	Abnormal Sound	<ol style="list-style-type: none"> Impeller rubbing against housing or cover Impeller or air passages clogged by foreign material Bearings defective 	<ol style="list-style-type: none"> Adjust Clean and add filter Change bearings
	Performance Below Standard	<ol style="list-style-type: none"> Leak in piping Piping and air passages clogged Impeller rotation reversed Leak in blower Low voltage 	<ol style="list-style-type: none"> Tighten Clean Check wiring Tighten cover, flange Check input voltage
<p>* 3 phase units ** 1 phase units *** Disassembly and repair of new blowers or motors will void the Rotron warranty. Factory should be contacted prior to any attempt to field repair an in-warranty unit.</p>			

Blower Disassembly:

WARNING: Attempting to repair or diagnose a blower may void Rotron's warranty. It may also be difficult to successfully disassemble and reassemble the unit.

- 1) Disconnect the power leads. **CAUTION:** Be sure the power is disconnected before doing any work whatsoever on the unit.
- 2) Remove or separate piping and/or mufflers and filters from the unit.
- 3) Remove the cover bolts and then the cover. **NOTE:** Some units are equipped with seals. It is mandatory that these seals be replaced once the unit has been opened.
- 4) Remove the impeller bolt and washers and then remove the impeller. **NOTE:** Never pry on the edges of the impeller. Use a puller as necessary.
- 5) Carefully note the number and location of the shims. Remove and set them aside. **NOTE:** If the disassembly was for inspection and cleaning the unit may now be reassembled by reversing the above steps. If motor servicing or replacement and/or impeller replacement is required the same shims may not be used. It will be necessary to re-shim the impeller according to the procedure explained under assembly.

- 6) Remove the housing bolts and remove the motor assembly (arbor/housing on remote drive models).
- 7) Arbor disassembly (Applicable on remote drive models only):
 - a) Slide the bearing retraining sleeve off the shaft at the blower end.
 - b) Remove the four (4) screws and the bearing retaining plate from the blower end.
 - c) Lift the shaft assembly far enough out of the arbor to allow removal of the blower end snap ring.
 - d) Remove the shaft assembly from the arbor.
 - e) If necessary, remove the shaft dust seal from the pulley end of the arbor.

Muffler Material Replacement:

- 1) Remove the manifold cover bolts and them manifold cover.
- 2) The muffler material can now be removed and replaced if necessary. On blowers with fiberglass acoustical wrap the tubular retaining screens with the fiberglass matting before sliding the muffler pads over the screens.
- 3) Reassemble by reversing the procedure.

NOTE: On DR068 models with tubular mufflers it is necessary to remove the cover and impeller accessing the muffler material from the housing cavity.

Blower Reassembly:

- 1) Place the assembled motor (assembled arbor assembly for remote drive models) against the rear of the housing and fasten with the bolts and washer.
- 2) To ensure the impeller is centered within the housing cavity re-shim the impeller according to the procedure outlined below.
- 3) If blower had a seal replace the seal with a new one.
- 4) Place the impeller onto the shaft making sure the shaft key is in place and fasten with the bolt, washer and spacer as applicable. Torque the impeller bolt per the table below. Once fastened carefully rotate the impeller to be sure it turns freely.
- 5) Replace the cover and fasten with bolts.
- 6) Reconnect the power leads to the motor per the motor nameplate.

Bolt Size	Torque Pound-Force-Foot
1/4-20	6.25 +/- 0.25
5/16-18	11.5 +/- 0.25
3/8-16	20.0 +/- 0.5
1/2-13	49.0 +/- 1
5/8 -11	90.0 +/- 2

Impeller Shimming Procedure:

WARNING: This unit may be difficult to shim. Extreme care may be exercised.

Tools Needed: Machinist's Parallel Bar
Vernier Caliper with depth measuring capability
Feeler gauges or depth gauge

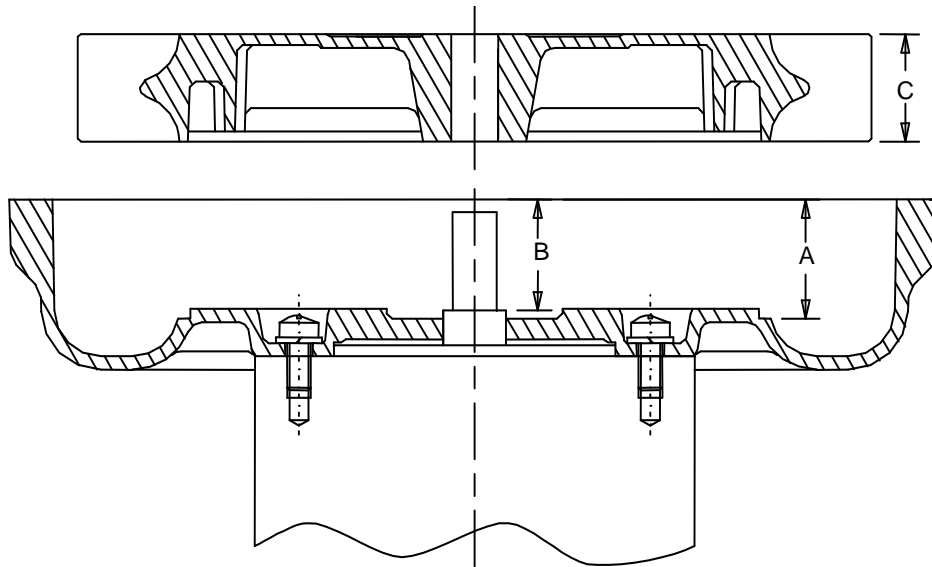
Measure the Following:

- Distance from the flange face to the housing (A)
- Distance from the flange face to the motor shaft shoulder (B)
- Impeller Thickness (C)

Measurements (A) and (B) are made by laying the parallel bar across the housing flange face and measuring to the proper points. Each measurement should be made at three points, and the average of the readings should be used.

$$\text{Shim Thickness} = B - (A+C)/2$$

After the impeller installation (step #4 above) the impeller/cover clearance can be checked with feeler gauges, laying the parallel bar across the housing flange face. This clearance should nominally be $(A-C)/2$.



AMETEK Dynamic Fluid Solutions .

100 East Erie St., Kent, Ohio 44240
Telephone: 330-673-3452 Fax: 330-677-3306
email: dfs.information@ametek.com
internet: www.ametekdfs.com

EXPLOSION-PROOF BLOWERS



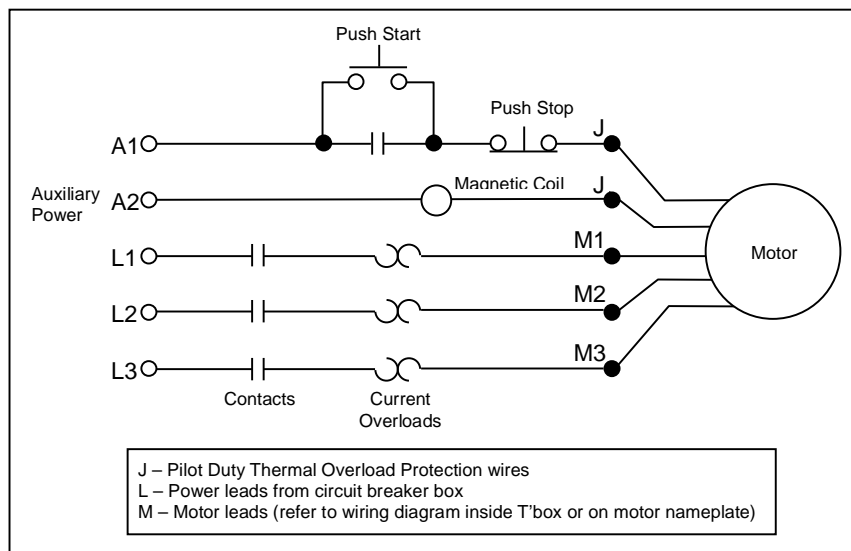
IMPORTANT: Read before wiring this Explosion-proof Blower

This AMETEK Rotron Explosion-proof Regenerative Blower may be equipped with Pilot Duty Thermal Overload (PDTO) or Automatic Thermal Overload (ATO) protection. When properly wired to a motor starter, this protection limits the motor winding temperature rise per the National Electric Code (NEC) article 500. Failure to properly wire this blower is an NEC violation and could cause an explosion. AMETEK Rotron assumes no responsibilities for damages incurred by negligent use of this product, and will not warranty a blower on which the PDTO is not properly connected. Some blowers 1 HP and under do not require PDTO and have built in ATO. Consult the factory if verification of wiring connections is required.

In all cases, follow the motor controller manufacturer's instructions. The following schematic is for conceptual understanding only, and may not apply to all motor/controller combinations.

The manufacturer's wiring diagram found on the motor takes precedent over reference diagrams supplied by AMETEK Rotron Technical Motor Division.

Schematic



The schematic is shown for a three phase motor. For a single phase motor disregard L3 and M3. Pushing the START button completes the auxiliary control circuit, allowing current to flow through the magnetic coil. The contacts are magnetically closed, starting the motor and latching the auxiliary circuit. The motor will continue to run until the STOP push button is depressed, the motor reaches the overload temperature, or the current sensing overloads trip out.

If you have any questions, contact AMETEK Rotron at 914-246-3401 for the location of your area representative.

POLICY REGARDING INSTALLATION OF AMETEK ROTRON REGENERATIVE BLOWERS IN HAZARDOUS LOCATIONS

AMETEK Rotron will not knowingly specify, design or build any regenerative blower for installation in a hazardous, explosive location without the proper NEMA motor enclosure. AMETEK Rotron does not recognize sealed blowers as a substitute for explosion-proof motors. Sealed units with standard TEFC motors should never be utilized where local, state, and/or federal codes specify the use of explosion-proof equipment.

AMETEK Rotron has a complete line of regenerative blowers with explosion-proof motors. Division 1 & 2, Class I, Group D; Class II, Groups F & G requirements are met with these standard explosion-proof blowers.

AMETEK Rotron will not knowingly specify, design or build any regenerative blower for installation in a hazardous, corrosive environment without the proper surface treatment and sealing options.

AMETEK Rotron has a complete line of Chemical Processing and Nasty Gas™ regenerative blowers with Chem-Tough™, stainless steel parts, and seals.

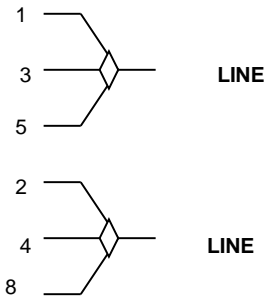
AMETEK Rotron offers general application guidance; however, suitability of the particular blower selection is ultimately the responsibility of the purchaser, not the manufacturer of the blower.

FS2 Rev. B 3/10/98

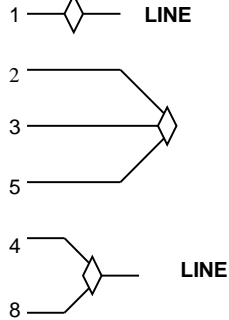
WIRING DIAGRAMS, XP MOTORS

H. 1Ø, 6 WIRE

115 VAC



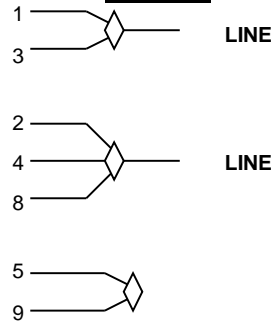
230 VAC



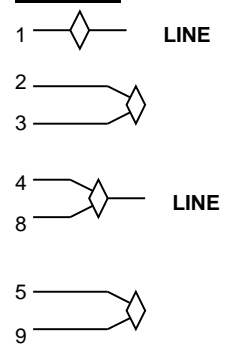
INTERCHANGE LEADWIRES 5 & 8 to REVERSE ROTATION

I. 1Ø, 7 WIRE

115 VAC



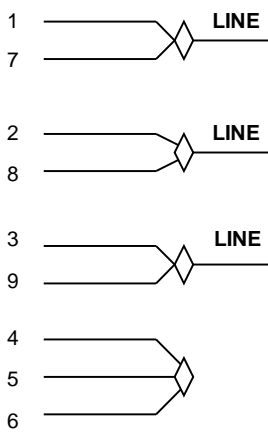
230 VAC



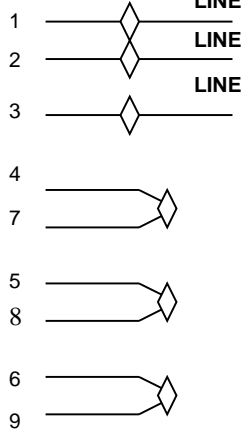
INTERCHANGE LEADWIRES 5 & 8 to REVERSE ROTATION

K. 3Ø, 9 WIRE

230 VAC

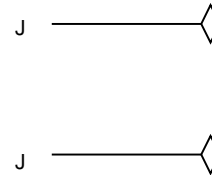


460 VAC



INTERCHANGE ANY TWO LEAD LINES TO REVERSE ROTATION

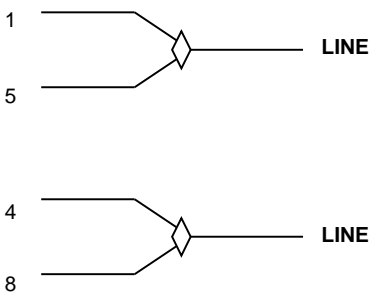
L. PILOT DUTY THERMAL OVERLOADS



HOOK J LEADS TO CONTROL CIRCUITRY

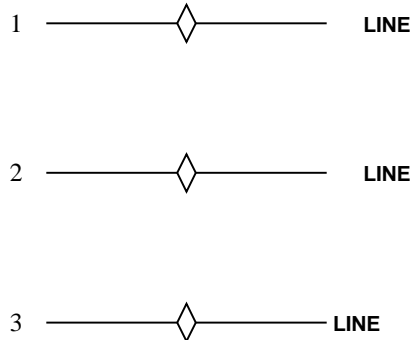
M. 1Ø 230 VAC

SINGLE VOLTAGE



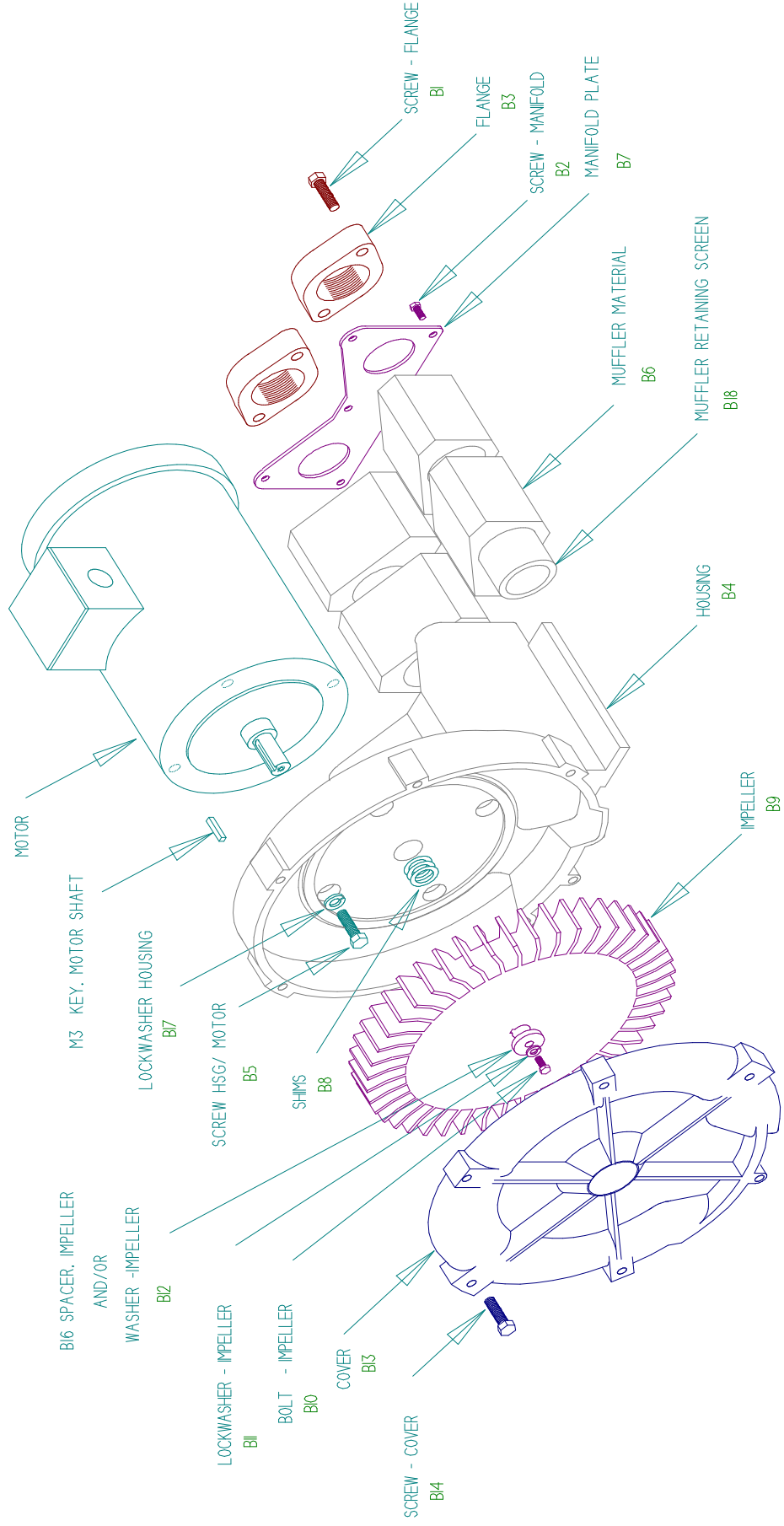
INTERCHANGE LEADWIRES 5 & 8 TO REVERSE ROTATION

N. 3Ø 575 VAC



INTERCHANGE ANY TWO LEAD LINES TO REVERSE ROTATION

ASSEMBLY DIAGRAM CP707 - CP808 DIRECT DRIVE BLOWERS



CP 707/808
Service and Parts Manual

Parts Breakdown

Model:
Part No.:

CP707 **CP808** **CP757**
038716 **081234** **081178**
038720 **081233** **081179**
038974 **038976** **081180**
038975 **038977** **081181**

Item No.	Qty.	Description	See Next Page	See Next Page	See Next Page
M3	1	Key Motor Shaft	155176	155176	155176
B1	4	Screw, Flange	155181	155179	155181
B2		Screw, Manifold	Not Used	Not Used	Not Used
B3	2	Flange	551342	551342	551342
		Screen, Flange Guard	Not Used	Not Used	Not Used
B4	1	Housing	529133	551315	550082 552663 (5 HP)
B5	4	Screw, Hsg /Motor	155338	155333	155332 155338
B6	7	Muffler Material (Grey)	551720	551736	551736 552044
	2	Muffler Material (White)	91) 551721	551737	551737 552045
B7		Manifold Plate	Not Used	Not Used	Not Used
B8	*	Shim .002"	272703	511547	511547 272703
	*	Shim .005"	272704	511548	511548 272704
	*	Shim .010"	272705	511549	511549 272705
	*	Shim .020"	272706	511550	511550 272706
	*	Shim .030"	Not Used	Not Used	Not Used
B9	1	Impeller	529304	550085	550085 552665 (5 HP)
B10	1	Bolt, Impeller	155327	155324	155178 155327
B11	1	Lockwasher, Impeller	251310	160524	Not Used 251310
B12		Washer, Impeller	Not Used	517487	Not Used
B13	1	Cover	529184	517524	517524 552664
B14	7	Screw, Cover	155236	155185	155185 (8 pcs) 155236
B15		Eye Bolt	Not Used	Not Used	Not Used
B16	1	Spacer, Impeller Bolt	529187	551360	517487 529187
		Shaft Sleeve	Not Used	Not Used	Not Used
B17		Lockwasher, Housing	Not Used	Not Used	Not Used
B18	1	Screen, Muffler Retaining, Right (**)	551724	551724	551724 552667
	1	Screen, Muffler Retaining, Left (***)	551724	551724	551724 552667
B19	6	Bolt, Muffler Hsg/Hsg	155325	155179	155179 121683

* As Needed **Viewed looking at inlet/outlet ports

CP 707/808
Service and Parts Manual

Parts Breakdown

Model:
Part No.:

CP707 **CP808** **CP757**
038716 **081234** **081178**
038720 **081233** **081179**
038974 **038976** **081180**
038975 **038977** **081181**

Item No.	Qty. Req'd	Description	Not Used	Not Used	Not Used	Not Used
B19A		Bolt, Muffler Hsg/Hsg				Not Used
B20	1	Muffler Housing	550046	550049	550049	552753
		Muffler Discrete	Not Used	Not Used	Not Used	Not Used
2		Bolt, Motor/Muffler	Not Used	155467	140040	Not Used
2		Lockwasher, Motor/Muffler	Not Used	Not Used	251308	Not Used
2		Washer, Motor/Muffler	Not Used	120211	251286	Not Used
		Spacer, Motor/Muffler	Not Used	Not Used	Not Used	Not Used
B21		Heat Slinger	Not Used	Not Used	Not Used	Not Used
B22		Guard Heat Slinger	Not Used	Not Used	Not Used	Not Used
B23		Bolt, Mounting Rail	Not Used	Not Used	Not Used	Not Used
B24		Lockwasher, Rail	Not Used	Not Used	Not Used	Not Used
B25		Nut, Rail	Not Used	Not Used	Not Used	Not Used
B26		Rail Mounting	Not Used	Not Used	Not Used	Not Used
1		Lip Seal	516691	516693	516693	516691

Model	Part No.	Motor	Diagram	Specific Parts	Bearing, Rear (M1)	Bearing, Impeller End (M2)
CP707F72MXLR	038716	515552	K + L	M3 510212	510217	510218
CP707FF72MXLR	038720	529244	C	M3 155319	510449	510217
CP707FW72MXLR	038974	550475	K + L	M3 155319	510217	510218
CP707D89MXLR	038975	515551	C	M3 510212		
CP808FY72MXLR	081234	550474	K + L		516840	516844
CP808FG72MXLR	081233	551349	C		510449	510217
CP808BA72MXLR	038733	515558	K + L	M3 511532	516840	516844
CP808FG72MXLR	038734	551349	C	M3 155176	510449	510217
CP808FY72MXLR	038976	550474	K + L	M3 155176	516840	516844
CP808AY72MXLR	038977	511570	C	M3 511532		
CP757FF72XLR	081178	529244	C	M3	510449	510217

* As Needed **Viewed looking at inlet/outlet ports

**CP 707/808
Service and Parts Manual**

Parts Breakdown

Model:	CP707	CP808	CP757
Part No.:	038716	038733	081178
	038720	038734	081179
	038974	038976	081180
	038975	038977	081181

Item No.	Qty. Req'd	Description			
CP757CR72XLR		081179			
CP757FW72XLR	550475	081180			
CP757FU72XLR		081181			
			K + L	M3 155319	510217
					510218

* As Needed **Viewed looking at inlet/outlet ports