



**WP057BH2-ON18A-XXXX**

**CONFIGURATION**

- 5.7" (145mm) Diameter
- Bypass Construction
- High Flow (1.75" Inlet/Outlet)
- 2 Stage
- Dual Voltage | 120/240 VAC | Common Performance

**ENVIRONMENTAL PROTECTION OPTIONS**

- PCB coating: (std) Urethane Base | Silicone Base
- Hardware: (std) Steel | Stainless Steel

**CONTROL OPTIONS**

- Speed Control: (std) Closed Loop | Open Loop
- Speed Command: (std) 0-10 VDC | Mechanical | 4-20mA | PWM | Remote Potentiometer
- Loss of Speed Command Signal: (std) Pull Down | Pull Up

**MECHANICAL OPTIONS**

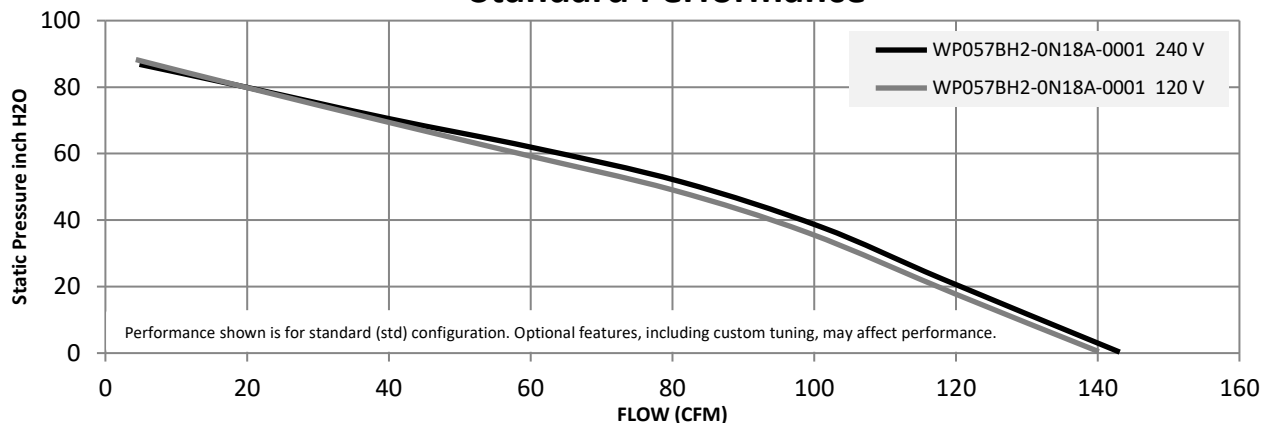
- Working Intake: (std) Inlet Tube | Bell Mouth
- Motor Cooling Inlet and exhaust: (std) Vent | Tube
- Mounting: (std) 5/16" Thru | 1/4-20 Tapped | M6 x 1 Tapped
- Various Wiring Harness Options (see Selection Guide) | (std) No Harness Supplied

**DESIGN APPLICATION**

- **Temperature:** Working Air: 0°C to 50°C | Storage: -40°C to 85°C
- **Weight (base model):** 6lb/2.2Kg
- **Regulatory Agency Certification:** Pending Underwriters Laboratories, Inc.
- **Input voltage range:** 100-264 Volts AC RMS, 50/60Hz, single phase, maximum current 20 amps RMS Note: Although this unit contains a lock-out feature that detects low voltage conditions, the electronics should not be operated continuously below the input voltage range listed above.
- **Isolated Speed Control:** Analog input voltage range: 1 to +10VDC nominal (+13.5 Volt Maximum) | Digital Pulse output: 66Hz to 770Hz, 0 to +15Volt Pulse nominal, minimum duty cycle 10%, 0 to +24 volt maximum | Note: setting of onboard potentiometer can affect control voltage range and maximum speed can be attained before reaching full speed command.
- **Speed Control Input Current:** 5mA to 20mA at 10Volts input with multi-turn potentiometer set to minimum resistance (fully clockwise)
- **Tach Output:** Standard is 2 pulses per revolution, can be configured to 1, 2, 3, or 6 pulses per revolution if requested.



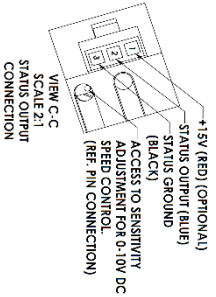
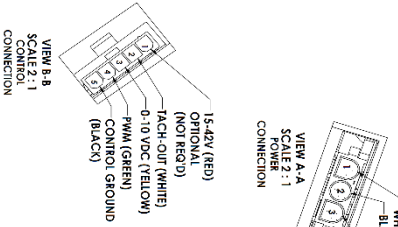
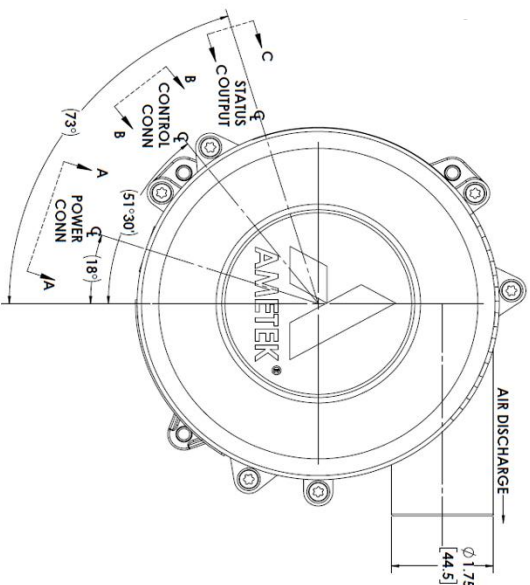
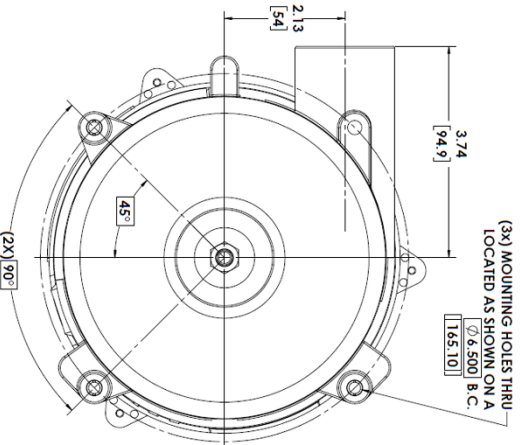
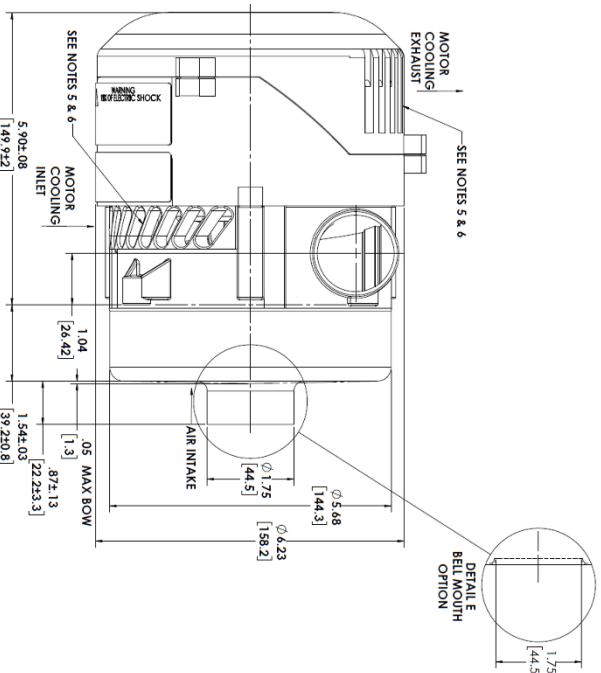
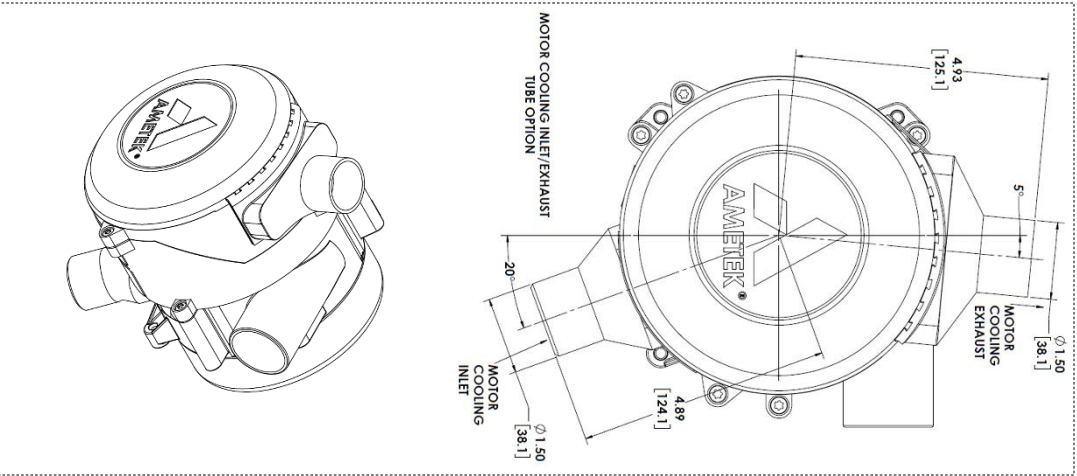
**Standard Performance**



**WARNING:** When using AMETEK motors in machines that come in contact with foam, liquid (including water), or other foreign substances, the machine must be designed and constructed to prevent those substances from reaching the fan system, motor housing, and electrical components. Vacuum motors other than hazardous-duty models should not be applied in machines that come in contact with dry chemicals or other volatile materials. Failure to observe these precautions could cause flashing (depending on volatility) or electrical shock, which could result in property damage and severe bodily injury, including death in extreme cases. All applications incorporating motors should be submitted to appropriate organizations or agencies for testing specifically related to the safety of your equipment.



- NOTES:**
- ROHS AND REACH COMPLIANCE. REFERENCE AMETEK ENVIRONMENTAL SPECIFICATION ES0010 FOR DETAILS.
  - POWER CONNECTION:** BLOWER CONNECTOR, MATES WITH CUSTOMER SUPPLIED AMP CONNECTOR PN#350766-1 WITH FEMALE TERMINALS, PN#640310-3 OR EQUIVALENT ON 12GA WIRE 600V, 105 °C.
  - CONTROL CONNECTION:** BLOWER CONNECTOR, MATES WITH CUSTOMER SUPPLIED MOLEX SERIES 5557 CONNECTOR HOUSING, (PN#39-01-4051) WITH FEMALE TERMINALS, (PN#39-00-0208) OR EQUIVALENT ON 22GA, 125 °C, 300V WIRE.
  - STATUS OUTPUT CONNECTOR:** BLOWER CONNECTOR, MATES WITH CUSTOMER SUPPLIED MOLEX CONNECTOR PN#50-29-1662 WITH FEMALE TERMINALS, PN#39-00-0214 OR EQUIVALENT ON 22GA, 125 °C, 300V WIRE.
  - ALL INTAKE, EXHAUST, COOLING DUCTS AND VENTS MUST NOT BE OBSTRUCTED BY MOUNTING.
  - MOTOR VENTILATION AIR TO BE FREE OF OILS AND OTHER FOREIGN PARTICLES. (I.E. BREATHING QUALITY AIR). BLOWER TO BE MOUNTED SO THAT MOTOR VENTILATION AIR CANNOT RECIRCULATE.
  - TACH OUTPUT- 2 PULSES PER REVOLUTION, SIGNAL IS A FREQUENCY (HZ) INDICATOR OF THE RPM CAN BE MEASURED WITH RESPECT TO GROUND (PIN 5), RPM=TACH. OUT x 30.



TITLE	5.7" 120/240V WINDJAMMER PRO
	0-10VDC, 2 STG BLDC BLWR OUTLINE
REV	D
REV	0
REV	1
REV	2
REV	3
REV	4
REV	5
REV	6
REV	7
REV	8
REV	9
REV	10
REV	11
REV	12
REV	13
REV	14
REV	15
REV	16
REV	17
REV	18
REV	19
REV	20
REV	21
REV	22
REV	23
REV	24
REV	25
REV	26
REV	27
REV	28
REV	29
REV	30
REV	31
REV	32
REV	33
REV	34
REV	35
REV	36
REV	37
REV	38
REV	39
REV	40
REV	41
REV	42
REV	43
REV	44
REV	45
REV	46
REV	47
REV	48
REV	49
REV	50
REV	51
REV	52
REV	53
REV	54
REV	55
REV	56
REV	57
REV	58
REV	59
REV	60
REV	61
REV	62
REV	63
REV	64
REV	65
REV	66
REV	67
REV	68
REV	69
REV	70
REV	71
REV	72
REV	73
REV	74
REV	75
REV	76
REV	77
REV	78
REV	79
REV	80
REV	81
REV	82
REV	83
REV	84
REV	85
REV	86
REV	87
REV	88
REV	89
REV	90
REV	91
REV	92
REV	93
REV	94
REV	95
REV	96
REV	97
REV	98
REV	99
REV	100