

Driver's Booster Blower Motor 1.7 Inch Brushless DC Motor

Features

Brushless Motor— Electronically Commutated DC (ECDC™) motor eliminates “brush” motor failures while offering extended life

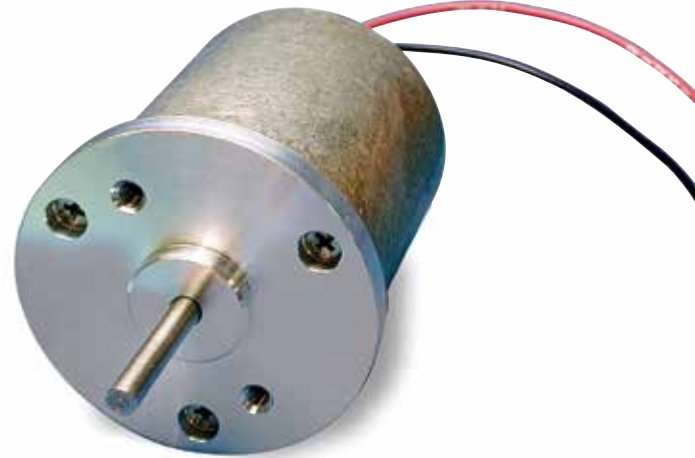
Life Cycle Cost Savings— Brushless motor design life eliminates additional motor cost and labor intensive maintenance expense of brush motor designs

Interchangeable— Motor diameter and standard 2-wire electrical hook-up allows complete interchangeability with brush motor counterparts

Rugged— Environmentally resistant design offers protection from hot-water spray, rain, humidity, salt, fog, shock, and vibration

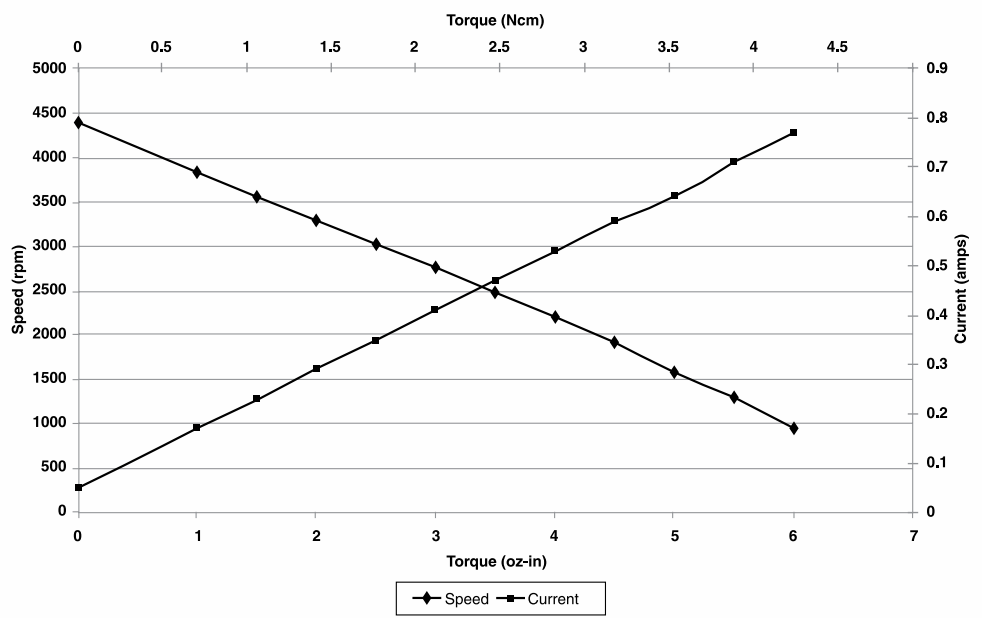
Drop-in replacement for these applications:

- New Flyer Driver's Booster Blower
- Neoplan Driver's Booster Blower



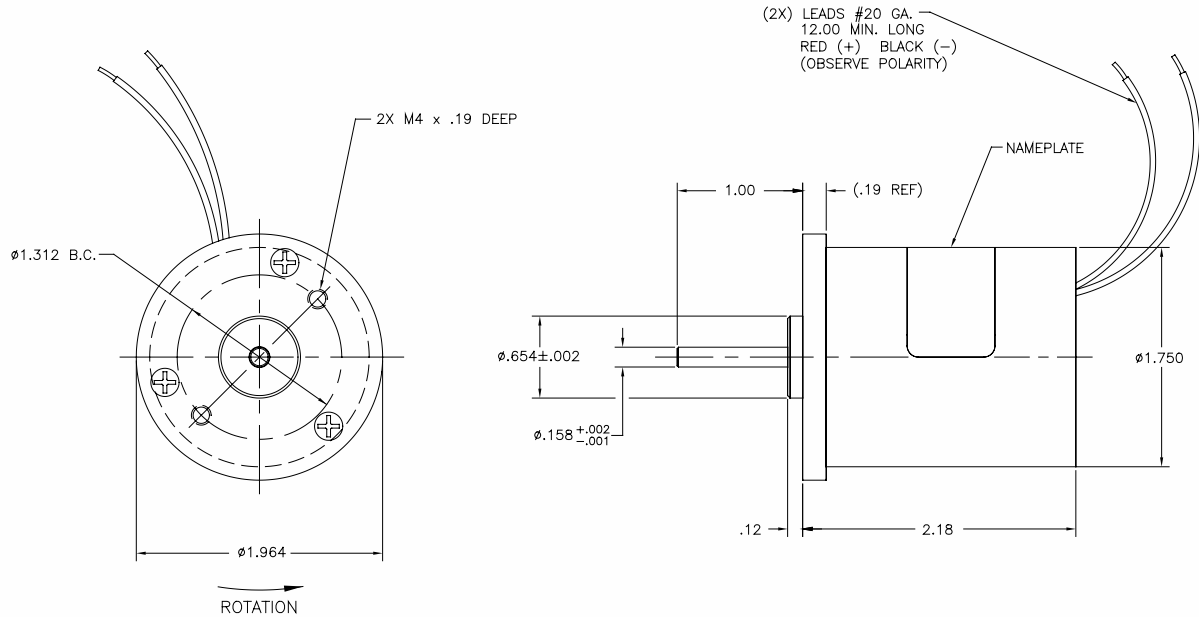
Performance

Speed and Current vs. Torque



Driver's Booster Blower Motor 1.7 Inch Brushless DC Motor

Dimensions



Model	Voltage	Current	Speed	Ambient Temperature Range	Weight
1.7 Inch Brushless DC Motor, 24 Volt (with a 3 oz. — in load)	27.6 VDC	0.41 A (nominal)	28 RPM (nominal)	40°C (maximum)	0.50 lb.

This document is for informational purposes only and should not be considered as a binding description of the products or their performance in all applications. The performance data on this page depicts typical performance under controlled laboratory conditions, data is corrected to 0.075 lb./ft³ air density (29.92" Hg @ 70° F). Actual performance will vary depending on the operating environment and application. AMETEK products are not designed for use with volatile, hazardous, or corrosive gases. Blower housings are not sealed, slight air/gas leakage will occur. AMETEK Rotron products are not designed for and should not be used in medical life support applications. AMETEK reserves the right to revise its products without notification. The above characteristics represent standard products. For product designed to meet specific applications contact AMETEK Marketing and Sales.