

## RTP1600 Brushless DC Blower

### 40,000 Hour Design Life

#### Features

##### Blowers

- Lightweight molded plastic construction
- 12 VDC and 24 VDC models available

##### Brushless Motor

- Electronically Commutated DC (ECDC™) motor design provides for maintenance free operation by eliminating brush motor failures and brush maintenance
- Medium and heavy duty construction as required for transit bus and construction equipment
- Multiple speeds or variable speed available without the use of dropping resistors

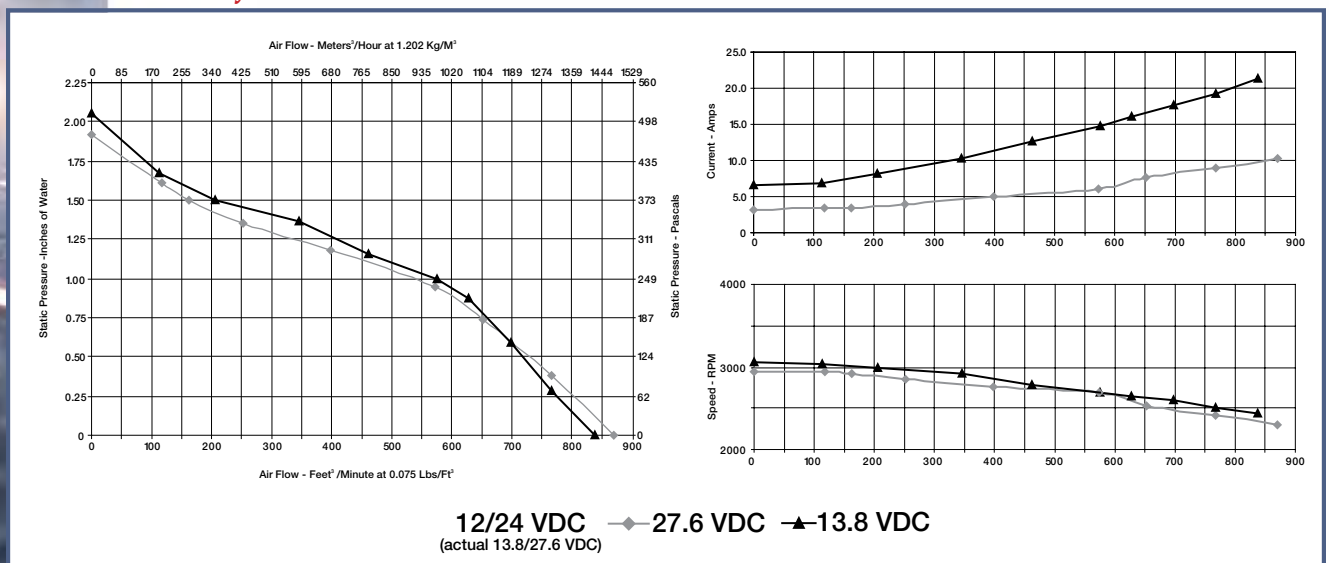


#### Multi-Purpose Use

##### Applications include:

- A/C Evaporator Blowers
- Underseat Heater Blowers
- Defroster Blowers
- Driver's Booster Blowers

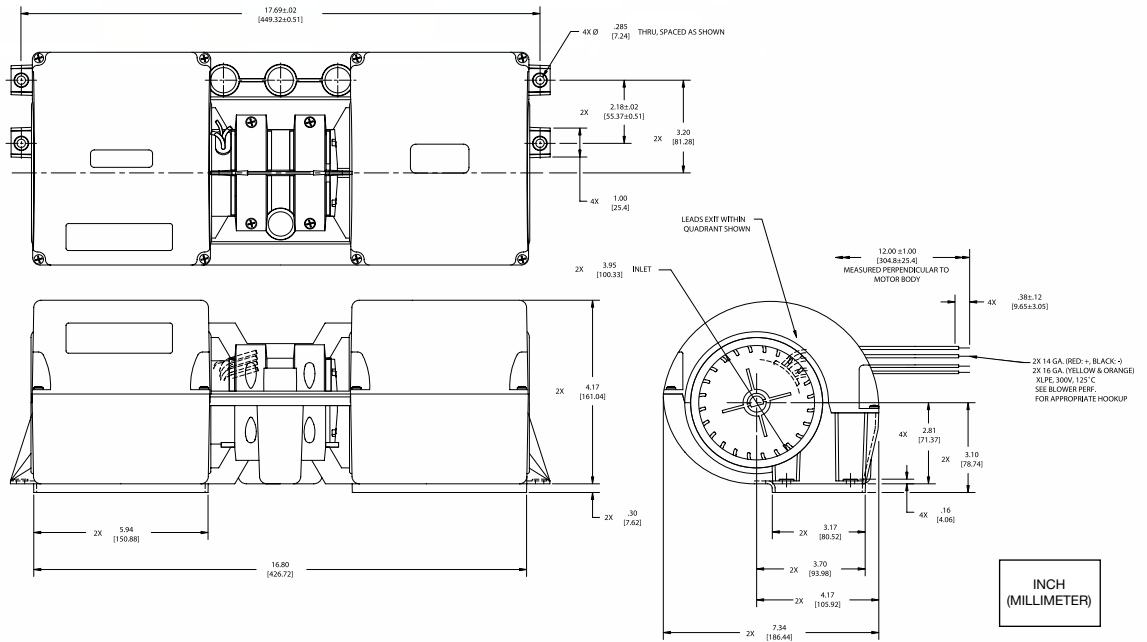
#### Performance



## RTP1600 Brushless DC Blower

### 40,000 Hour Design Life

### Dimensions



Blower Data	Unit of Measure	Part Number	
		150225-00	150226-00
Voltage Input	VDC	12 (actual 13.8)	24 (actual 27.6)
Flow Rate, Max. (Open Flow)	CFM	877	872
	m <sup>3</sup> /hr	1490	1482

### Typical Performance Points

Air Flow	Pressure		
0 CFM	in. H <sub>2</sub> O	2.10	2.10
100 CFM	in. H <sub>2</sub> O	1.76	1.76
200 CFM	in. H <sub>2</sub> O	1.58	1.58
300 CFM	in. H <sub>2</sub> O	1.45	1.45
400 CFM	in. H <sub>2</sub> O	1.26	1.26
500 CFM	in. H <sub>2</sub> O	1.20	1.20
600 CFM	in. H <sub>2</sub> O	0.99	0.99
700 CFM	in. H <sub>2</sub> O	0.73	0.73
800 CFM	in. H <sub>2</sub> O	0.34	0.34
872 CFM	in. H <sub>2</sub> O	0.00	0.01
877 CFM	in. H <sub>2</sub> O	N/A	0.00

### NOTES:

- \* These blowers can be equipped with an option allowing for up to 4 distinct speed settings. Please inquire with the Marketing/Sales Department for specific set points.
- \* Temperature: Working Ambient Air: -40°C to 70°C, Storage Air: -40°C to 85°C.
- \* Environmentally resistant design. Please discuss specific operating environment with the Marketing/Sales Department.
- \* Approximate typical weight: 10.0 lbs.

This document is for informational purposes only and should not be considered as a binding description of the products or their performance in all applications. The performance data on this page depicts typical performance under controlled laboratory conditions, data is corrected to 0.075 lb./ft<sup>3</sup> air density (29.92" Hg @ 70° F). Actual performance will vary depending on the operating environment and application. AMETEK products are not designed for use with volatile, hazardous, or corrosive gases. Blower housings are not sealed, slight air/gas leakage will occur. AMETEK Rotron products are not designed for and should not be used in medical life support applications. AMETEK reserves the right to revise its products without notification. The above characteristics represent standard products. For product designed to meet specific applications contact AMETEK Marketing and Sales.

## RTP1400 Brushless DC Blower

### 40,000 Hour Design Life

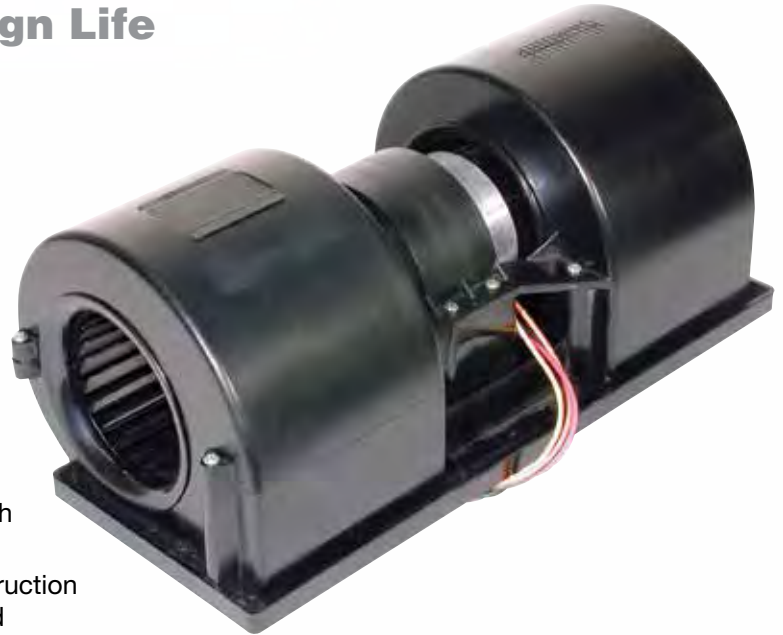
#### Features

##### Blowers

- Lightweight molded plastic construction
- 12 VDC and 24 VDC models available

##### Brushless Motor

- Electronically Commutated DC (ECDC™) motor design provides for maintenance free operation by eliminating brush motor failures and brush maintenance
- Medium and heavy duty construction as required for transit bus and construction equipment
- Multiple speeds or variable speed available without the use of dropping resistors

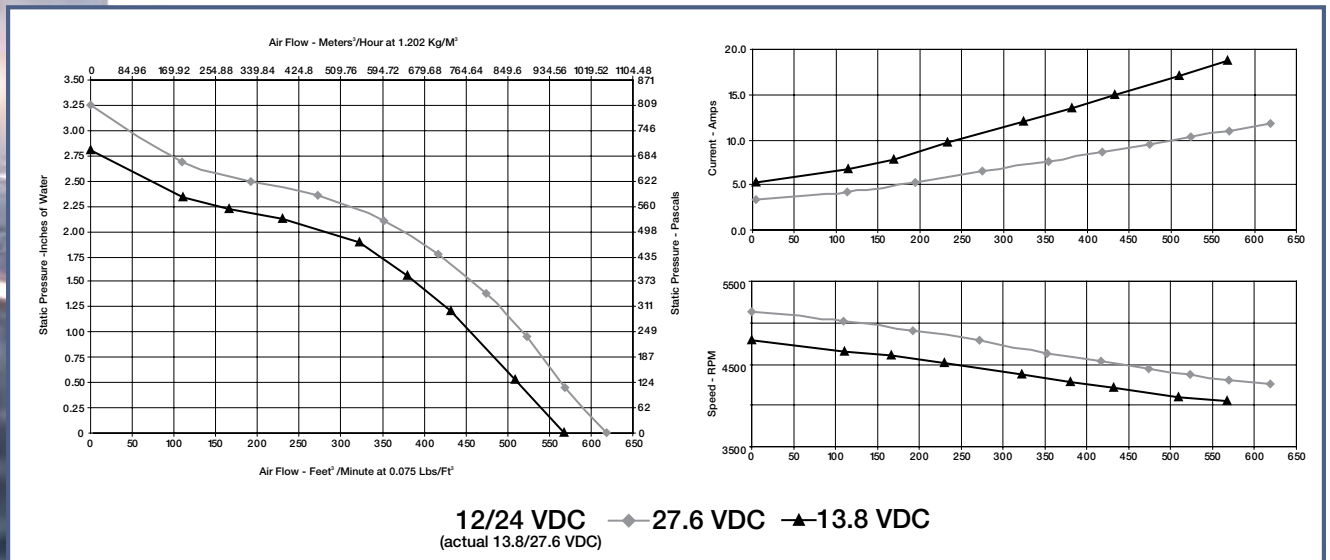


#### Multi-Purpose Use

##### Applications include:

- A/C Evaporator Blowers
- Underseat Heater Blowers
- Defroster Blowers
- Driver's Booster Blowers

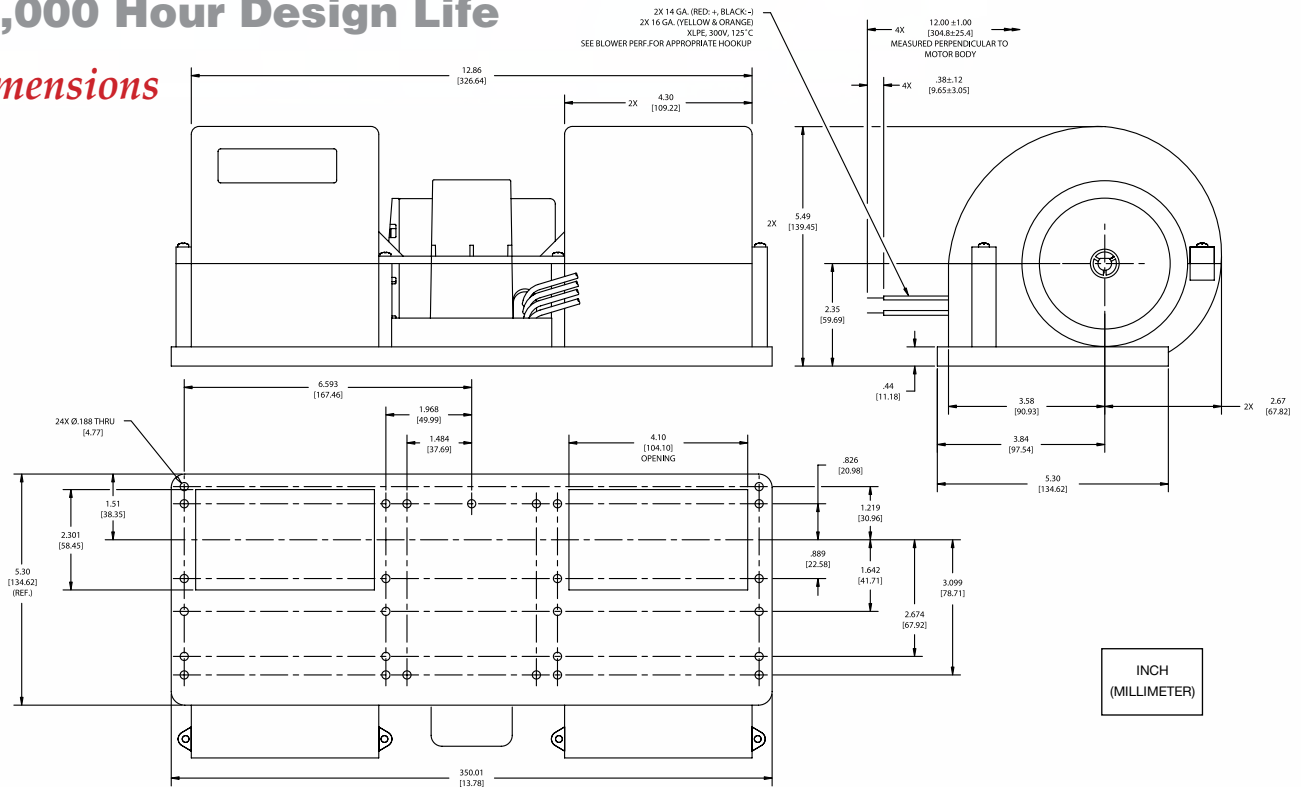
#### Performance



## RTP1400 Brushless DC Blower

### 40,000 Hour Design Life

### Dimensions



Blower Data	Unit of Measure	Part Number	
		150229-01	150221-00
Voltage Input	VDC	12 (actual 13.8)	24 (actual 27.6)
Flow Rate, Max. (Open Flow)	CFM m <sup>3</sup> /hr	568 964	619 1051

### Typical Performance Points

Air Flow	Pressure		
0 CFM	in. H <sub>2</sub> O	2.78	3.25
100 CFM	in. H <sub>2</sub> O	2.37	2.75
200 CFM	in. H <sub>2</sub> O	2.18	2.49
300 CFM	in. H <sub>2</sub> O	1.95	2.30
400 CFM	in. H <sub>2</sub> O	1.40	1.85
500 CFM	in. H <sub>2</sub> O	0.60	1.18
568 CFM	in. H <sub>2</sub> O	0.00	0.49
600 CFM	in. H <sub>2</sub> O	N/A	0.10

### NOTES:

- \* These blowers can be equipped with an option allowing for up to 4 distinct speed settings. Please inquire with the Marketing/Sales Department for specific set points.
- \* Temperature: Working Ambient Air: -40°C to 70°C, Storage Air: -40°C to 85°C.
- \* Environmentally resistant design. Please discuss specific operating environment with the Marketing/Sales Department.
- \* Approximate typical weight: 9.0 lbs.

This document is for informational purposes only and should not be considered as a binding description of the products or their performance in all applications. The performance data on this page depicts typical performance under controlled laboratory conditions, data is corrected to 0.075 lb./ft<sup>3</sup> air density (29.92" Hg @ 70° F). Actual performance will vary depending on the operating environment and application. AMETEK products are not designed for use with volatile, hazardous, or corrosive gases. Blower housings are not sealed, slight air/gas leakage will occur. AMETEK Rotron products are not designed for and should not be used in medical life support applications. AMETEK reserves the right to revise its products without notification. The above characteristics represent standard products. For product designed to meet specific applications contact AMETEK Marketing and Sales.

## RTP1300 Brushless DC Blower

### 40,000 Hour Design Life

#### Features

##### Blowers

- Lightweight molded plastic construction
- 12 VDC and 24 VDC models available

##### Brushless Motor

- Electronically Commutated DC (ECDC™) motor design provides for maintenance free operation by eliminating brush motor failures and brush maintenance
- Medium and heavy duty construction as required for transit bus and construction equipment
- Multiple speeds or variable speed available without the use of dropping resistors

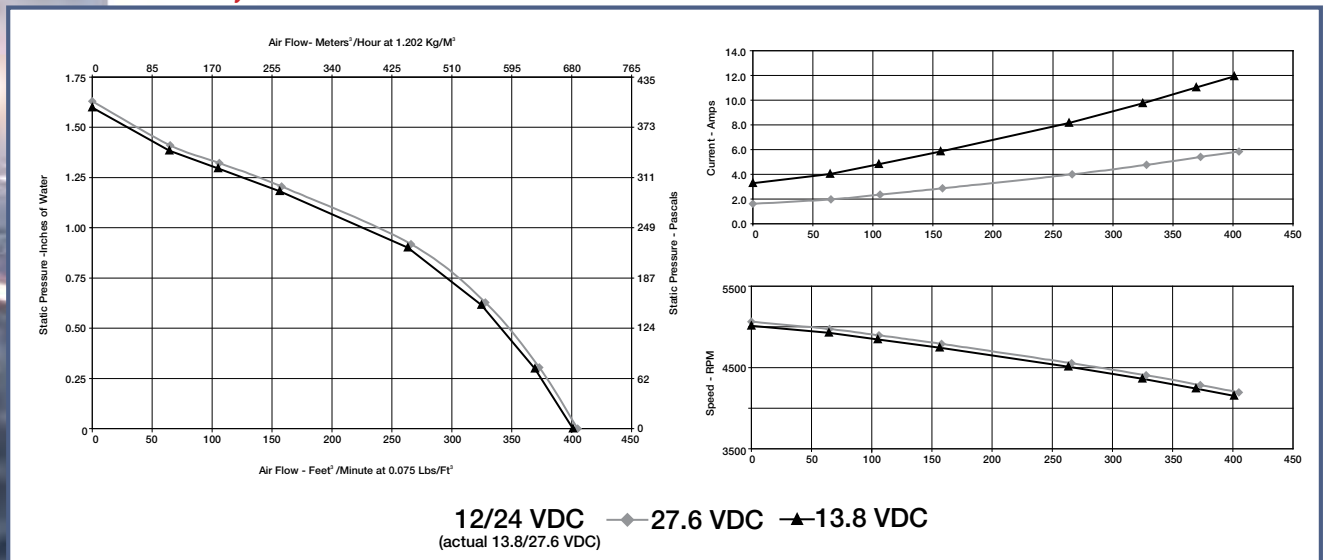


#### Multi-Purpose Use

**Applications include:**

- A/C Evaporator Blowers
- Underseat Heater Blowers
- Defroster Blowers
- Driver's Booster Blowers

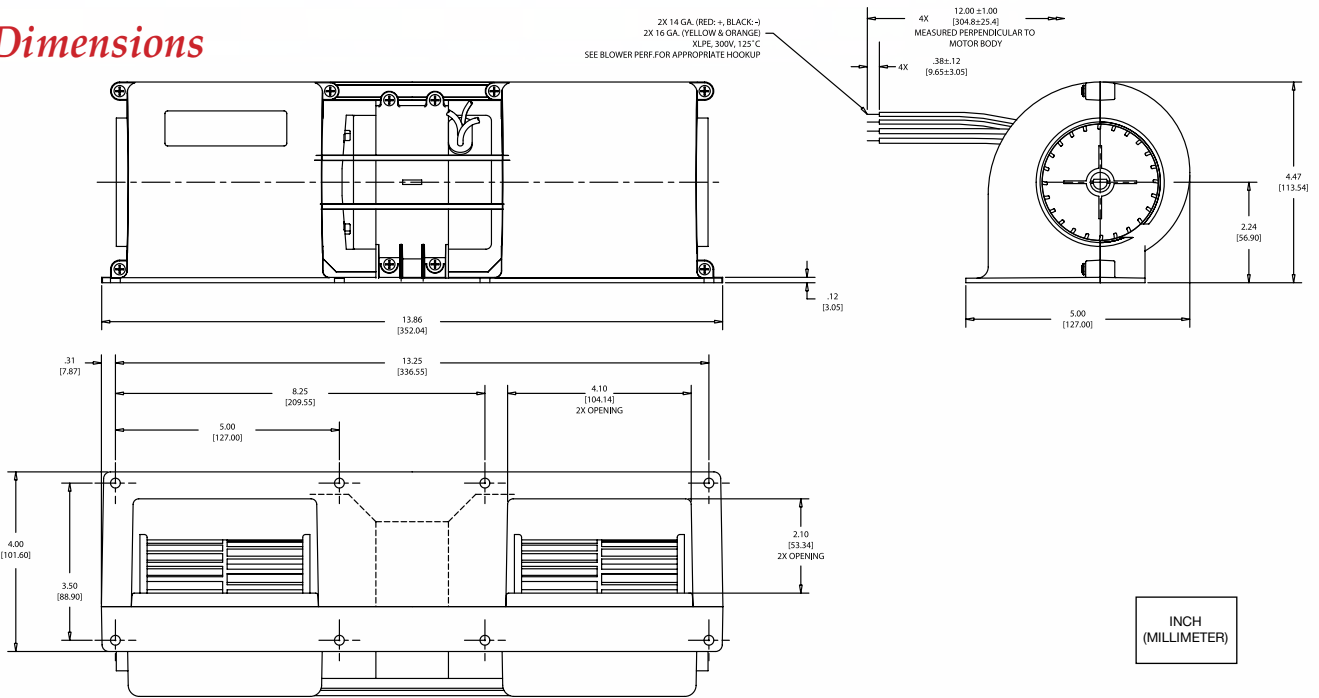
#### Performance



## RTP1300 Brushless DC Blower

### 40,000 Hour Design Life

### Dimensions



Blower Data	Unit of Measure	Part Number	
		TBD*	150222-00*
Voltage Input	VDC	12 (actual 13.8)	24 (actual 27.6)
Flow Rate, Max. (Open Flow)	CFM	378	378
	m <sup>3</sup> /hr	642	642

### Typical Performance Points

Air Flow	Pressure	Pressure	Pressure
0 CFM	in. H <sub>2</sub> O	1.46	1.46
50 CFM	in. H <sub>2</sub> O	1.31	1.31
100 CFM	in. H <sub>2</sub> O	1.17	1.17
150 CFM	in. H <sub>2</sub> O	1.20	1.20
200 CFM	in. H <sub>2</sub> O	0.95	0.95
250 CFM	in. H <sub>2</sub> O	0.77	0.77
300 CFM	in. H <sub>2</sub> O	0.57	0.57
350 CFM	in. H <sub>2</sub> O	0.23	0.23
378 CFM	in. H <sub>2</sub> O	0.00	0.00

### NOTES:

\* These blowers can be equipped with an option allowing for up to 4 distinct speed settings. Please inquire with the Marketing/Sales Department for specific set points.

\* Temperature: Working Ambient Air: -40°C to 70°C, Storage Air: -40°C to 85°C.

\* Environmentally resistant design. Please discuss specific operating environment with the Marketing/Sales Department.

\* Approximate Typical Weight: 6.0 lbs.

\* RTP1300 Blower requires the use of an external drive module sold separately.

This document is for informational purposes only and should not be considered as a binding description of the products or their performance in all applications. The performance data on this page depicts typical performance under controlled laboratory conditions, data is corrected to 0.075 lb./ft<sup>3</sup> air density (29.92" Hg @ 70° F). Actual performance will vary depending on the operating environment and application. AMETEK products are not designed for use with volatile, hazardous, or corrosive gases. Blower housings are not sealed, slight air/gas leakage will occur. AMETEK Rotron products are not designed for and should not be used in medical life support applications. AMETEK reserves the right to revise its products without notification. The above characteristics represent standard products. For product designed to meet specific applications contact AMETEK Marketing and Sales.

## RTP16S Brushless DC Fan 40,000 Hour Design Life

### Features

#### Fans

- Lightweight molded plastic construction
- 12 VDC and 24 VDC models available

#### Brushless Motor

- Electronically Commutated DC (ECDC™) motor design provides for maintenance free operation by eliminating brush motor failures and brush maintenance
- Medium and heavy duty construction as required for transit bus and construction equipment
- Multiple speeds or variable speed available without the use of dropping resistors

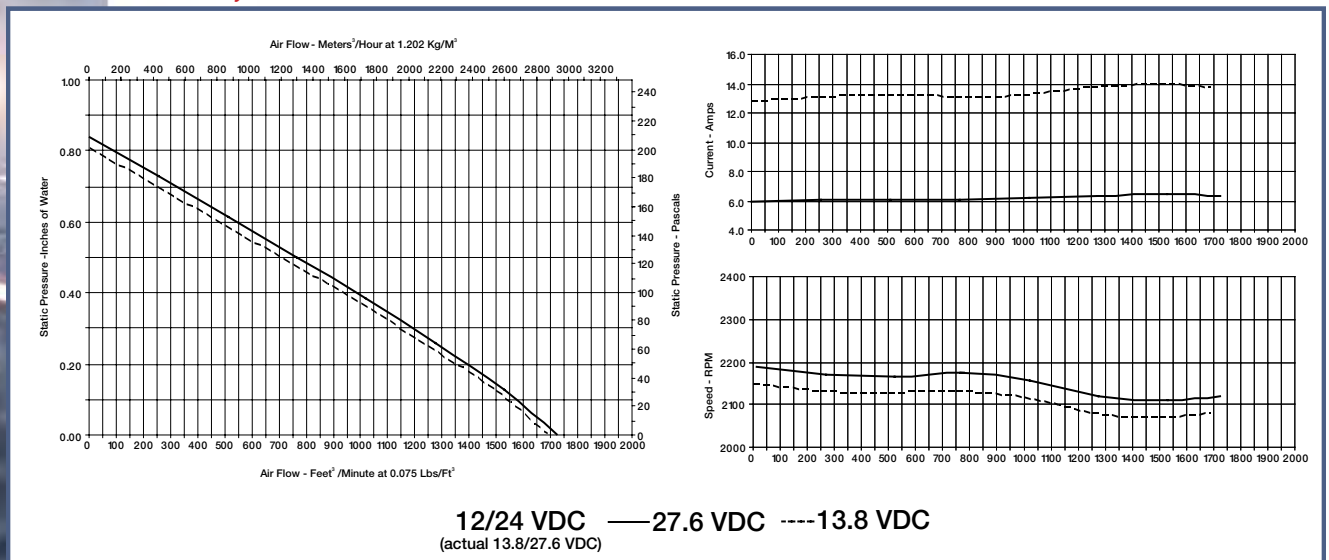
### Multi-Purpose Use

#### Applications include:

- A/C Condenser Fans
- Radiator Cooling Fans
- Exhaust Fans

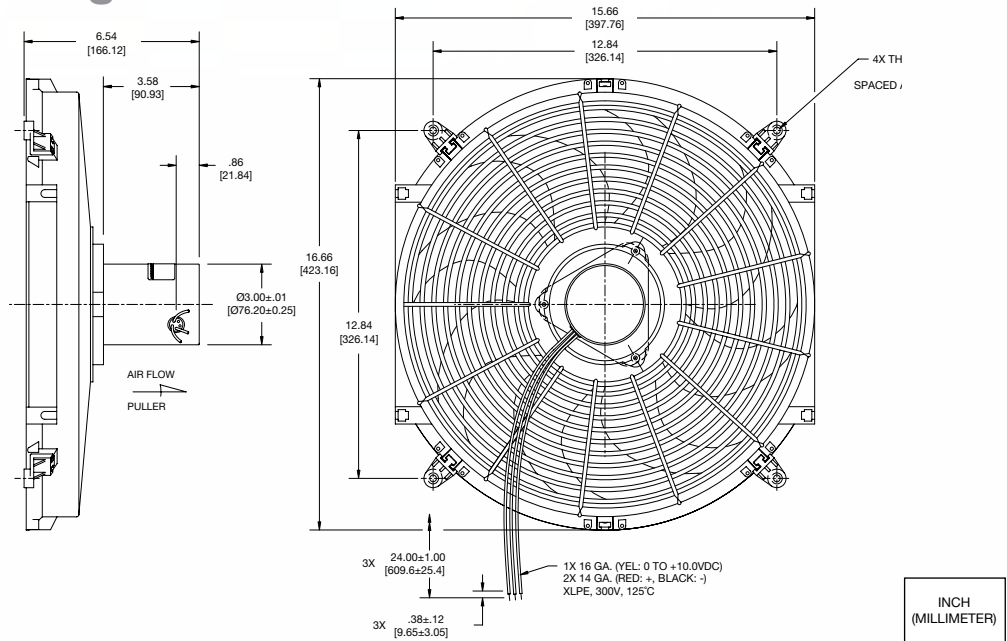


### Performance



## RTP16S Brushless DC Fan 40,000 Hour Design Life

### Dimensions



Blower Data	Unit of Measure	Part Number	
		150083-01	150116-01
Voltage Input	VDC	12 (actual 13.8)	24 (actual 27.6)
Flow Rate, Max. (Open Flow)	CFM m <sup>3</sup> /hr	1947 3308	1947 3308

### Typical Performance Points

Air Flow	Pressure	Pressure	Pressure
0 CFM	in. H <sub>2</sub> O	0.76	0.76
250 CFM	in. H <sub>2</sub> O	0.72	0.72
500 CFM	in. H <sub>2</sub> O	0.66	0.66
750 CFM	in. H <sub>2</sub> O	0.60	0.60
1000 CFM	in. H <sub>2</sub> O	0.55	0.55
1250 CFM	in. H <sub>2</sub> O	0.41	0.41
1500 CFM	in. H <sub>2</sub> O	0.23	0.23
1750 CFM	in. H <sub>2</sub> O	0.16	0.16
1947 CFM	in. H <sub>2</sub> O	0.00	0.00

### NOTES:

- \* These fans can be equipped with an option allowing for up to 4 distinct speed settings. Please inquire with the Marketing/Sales Department for specific set points.
- \* Temperature: Working Ambient Air: -40°C to 70°C, Storage Air: -40°C to 85°C.
- \* Environmentally resistant design. Please discuss specific operating environment with the Marketing/Sales Department.
- \* Approximate Typical Weight: 7.0 lbs.

This document is for informational purposes only and should not be considered as a binding description of the products or their performance in all applications. The performance data on this page depicts typical performance under controlled laboratory conditions, data is corrected to 0.075 lb./ft<sup>3</sup> air density (29.92" Hg @ 70° F). Actual performance will vary depending on the operating environment and application. AMETEK products are not designed for use with volatile, hazardous, or corrosive gases. Blower housings are not sealed, slight air/gas leakage will occur. AMETEK Rotron products are not designed for and should not be used in medical life support applications. AMETEK reserves the right to revise its products without notification. The above characteristics represent standard products. For product designed to meet specific applications contact AMETEK Marketing and Sales.



## RTP16 Brushless DC Fan 40,000 Hour Design Life

### Features

#### Fans

- Lightweight molded plastic construction
- 12 VDC and 24 VDC models available

#### Brushless Motor

- Electronically Commutated DC (ECDC™) motor design provides for maintenance free operation by eliminating brush motor failures and brush maintenance
- Medium and heavy duty construction as required for transit bus and construction equipment
- Multiple speeds or variable speed available without the use of dropping resistors

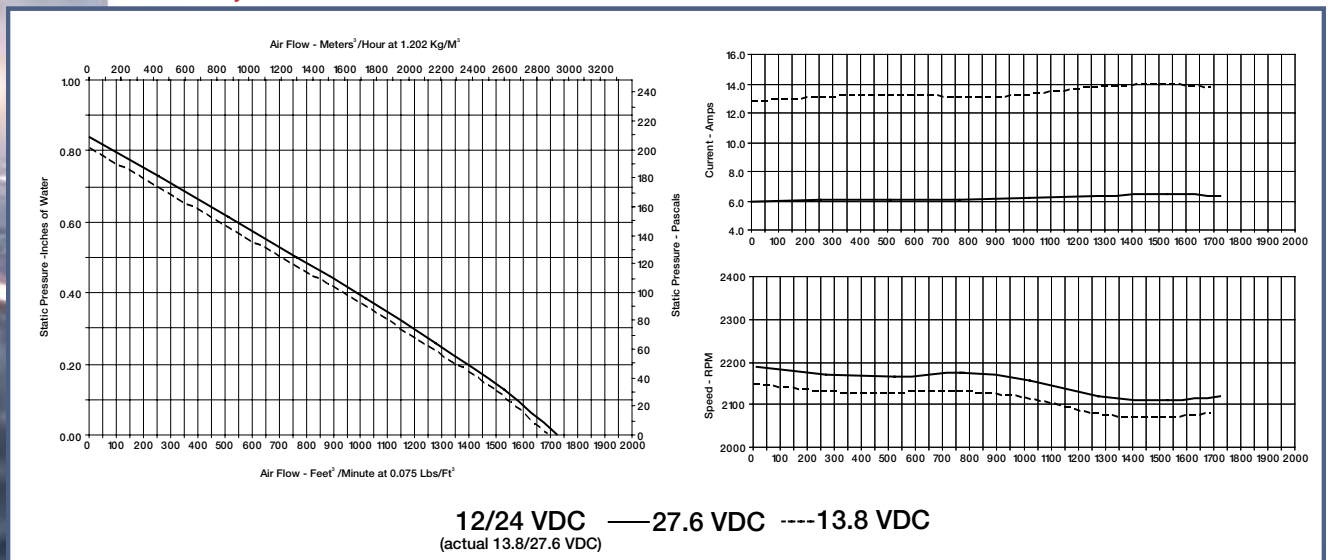


### Multi-Purpose Use

#### Applications include:

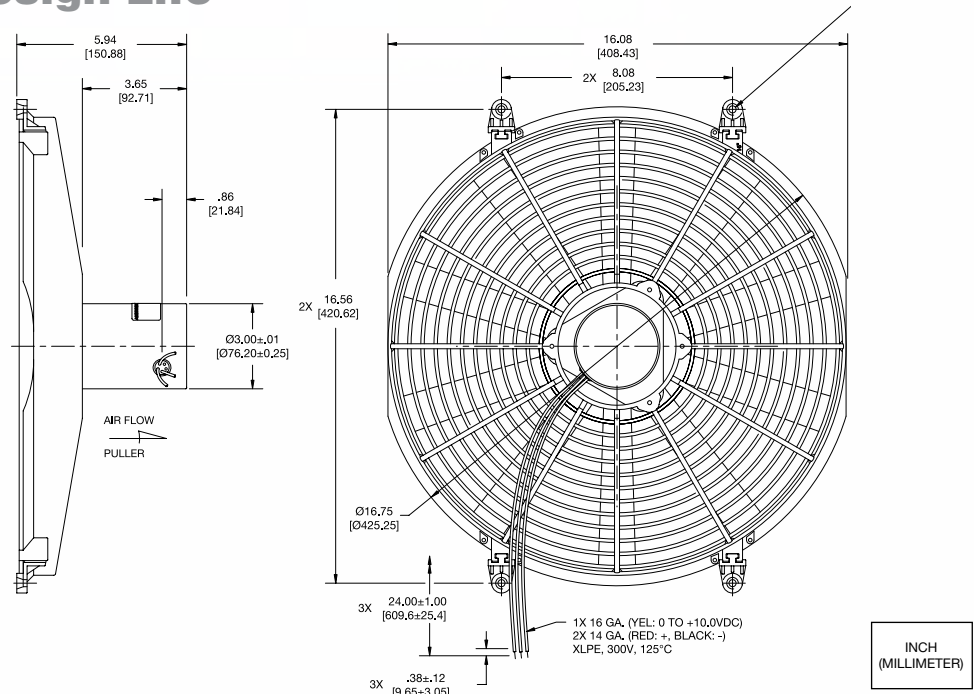
- A/C Condenser Fans
- Radiator Cooling Fans
- Exhaust Fans

### Performance



## RTP16 Brushless DC Fan 40,000 Hour Design Life

### Dimensions



Blower Data	Unit of Measure	Part Number	
		150079-01	150115-01
Voltage Input	VDC	12 (actual 13.8)	24 (actual 27.6)
Flow Rate, Max. (Open Flow)	CFM	1862	1862
	m <sup>3</sup> /hr	3164	3164

### Typical Performance Points

Air Flow	Pressure		
0 CFM	in. H <sub>2</sub> O	0.95	0.95
200 CFM	in. H <sub>2</sub> O	0.83	1.28
400 CFM	in. H <sub>2</sub> O	0.72	1.14
600 CFM	in. H <sub>2</sub> O	0.65	1.05
800 CFM	in. H <sub>2</sub> O	0.57	0.89
1000 CFM	in. H <sub>2</sub> O	0.50	0.66
1200 CFM	in. H <sub>2</sub> O	0.41	0.40
1400 CFM	in. H <sub>2</sub> O	0.32	0.14
1600 CFM	in. H <sub>2</sub> O	0.19	0.19
1800 CFM	in. H <sub>2</sub> O	0.05	0.05
1862 CFM	in. H <sub>2</sub> O	0.00	0.00

### NOTES:

- \* These fans can be equipped with an option allowing for up to 4 distinct speed settings. Please inquire with the Marketing/Sales Department for specific set points.
- \* Temperature: Working Ambient Air: -40°C to 70°C, Storage Air: -40°C to 85°C.
- \* Environmentally resistant design. Please discuss specific operating environment with the Marketing/Sales Department.
- \* Approximate Typical Weight: 7.0 lbs.

This document is for informational purposes only and should not be considered as a binding description of the products or their performance in all applications. The performance data on this page depicts typical performance under controlled laboratory conditions, data is corrected to 0.075 lb./ft<sup>3</sup> air density (29.92" Hg @ 70° F). Actual performance will vary depending on the operating environment and application. AMETEK products are not designed for use with volatile, hazardous, or corrosive gases. Blower housings are not sealed, slight air/gas leakage will occur. AMETEK Rotron products are not designed for and should not be used in medical life support applications. AMETEK reserves the right to revise its products without notification. The above characteristics represent standard products. For product designed to meet specific applications contact AMETEK Marketing and Sales.

## RTP14 Brushless DC Fan 40,000 Hour Design Life

### Features

#### Fans

- Lightweight molded plastic construction
- 24 VDC models available

#### Brushless Motor

- Electronically Commutated DC (ECDC™) motor design provides for maintenance free operation by eliminating brush motor failures and brush maintenance
- Medium and heavy duty construction as required for transit bus and construction equipment
- Multiple speeds or variable speed available without the use of dropping resistors

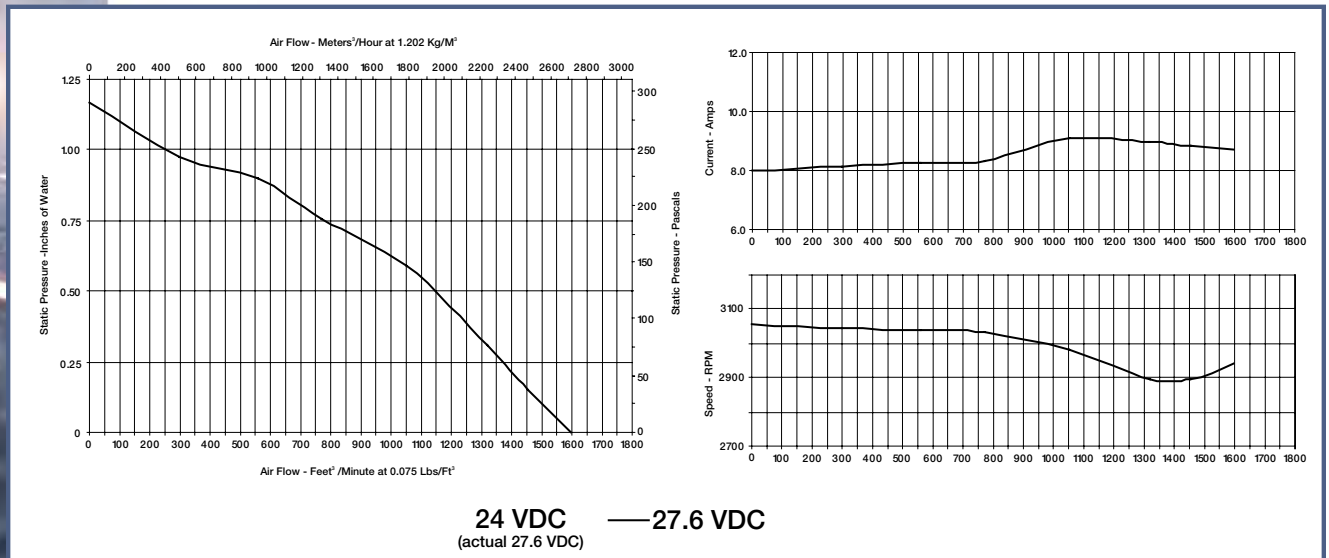


### Multi-Purpose Use

#### Applications include:

- A/C Condenser Fans
- Radiator Cooling Fans
- Exhaust Fans

### Performance

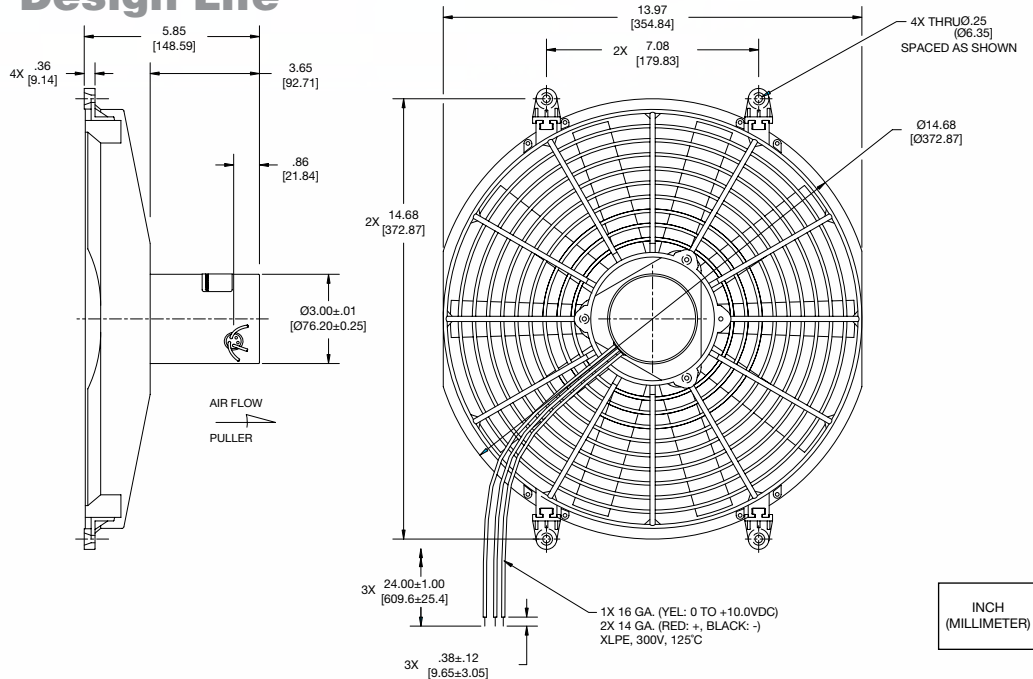


24 VDC — 27.6 VDC  
(actual 27.6 VDC)

## RTP14 Brushless DC Fan

### 40,000 Hour Design Life

### Dimensions



Blower Data	Unit of Measure	Part Number
		150078-01
Voltage Input	VDC	24 (actual 27.6)
Flow Rate, Max. (Open Flow)	CFM	1641
	m³/hr	2788

### Typical Performance Points

Air Flow	Pressure	
0 CFM	in. H <sub>2</sub> O	1.36
200 CFM	in. H <sub>2</sub> O	1.20
400 CFM	in. H <sub>2</sub> O	1.07
600 CFM	in. H <sub>2</sub> O	0.99
800 CFM	in. H <sub>2</sub> O	0.80
1000 CFM	in. H <sub>2</sub> O	0.59
1200 CFM	in. H <sub>2</sub> O	0.45
1400 CFM	in. H <sub>2</sub> O	0.23
1600 CFM	in. H <sub>2</sub> O	0.04
1641 CFM	in. H <sub>2</sub> O	0.00

### NOTES:

- \* These fans can be equipped with an option allowing for up to 4 distinct speed settings. Please inquire with the Marketing/Sales Department for specific set points.
- \* Temperature: Working Ambient Air: -40°C to 70°C, Storage Air: -40°C to 85°C.
- \* Environmentally resistant design. Please discuss specific operating environment with the Marketing/Sales Department.
- \* Approximate Typical Weight: 7.0 lbs.

This document is for informational purposes only and should not be considered as a binding description of the products or their performance in all applications. The performance data on this page depicts typical performance under controlled laboratory conditions, data is corrected to 0.075 lb./ft³ air density (29.92" Hg @ 70° F). Actual performance will vary depending on the operating environment and application. AMETEK products are not designed for use with volatile, hazardous, or corrosive gases. Blower housings are not sealed, slight air/gas leakage will occur. AMETEK Rotron products are not designed for and should not be used in medical life support applications. AMETEK reserves the right to revise its products without notification. The above characteristics represent standard products. For product designed to meet specific applications contact AMETEK Marketing and Sales.

## RTP10 Brushless DC Fan 40,000 Hour Design Life

### Features

#### Fans

- Lightweight molded plastic construction
- 12 VDC and 24 VDC models available

#### Brushless Motor

- Electronically Commutated DC (ECDC™) motor design provides for maintenance free operation by eliminating brush motor failures and brush maintenance
- Medium and heavy duty construction as required for transit bus and construction equipment
- Multiple speeds or variable speed available without the use of dropping resistors

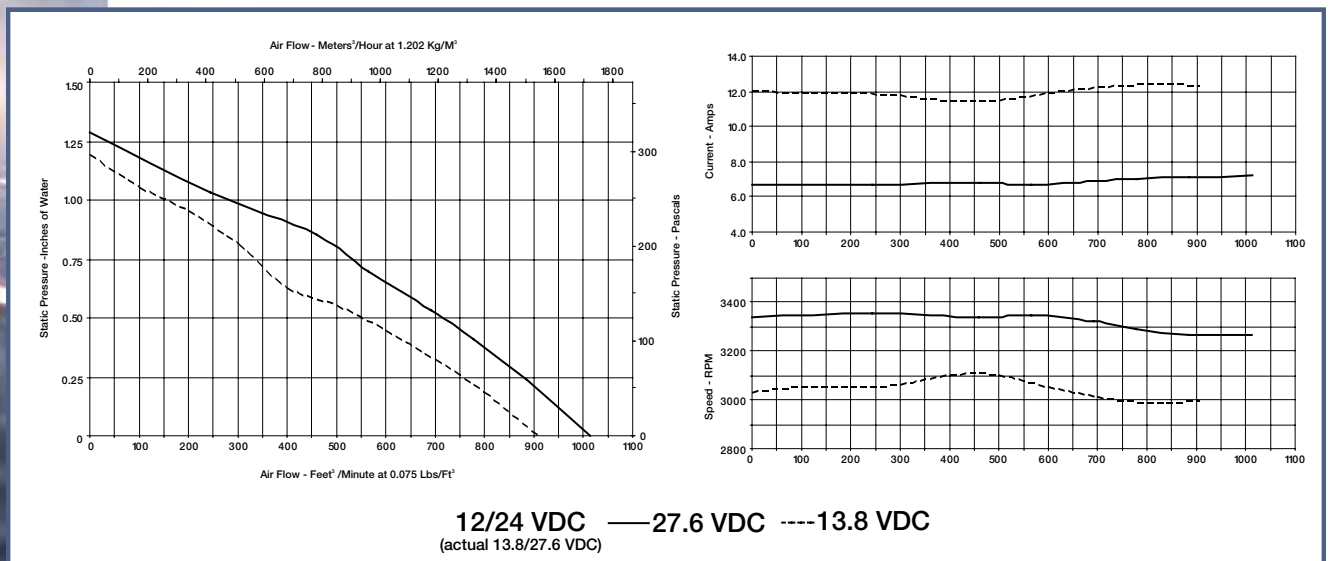


### Multi-Purpose Use

#### Applications include:

- A/C Condenser Fans
- Radiator Cooling Fans
- Exhaust Fans

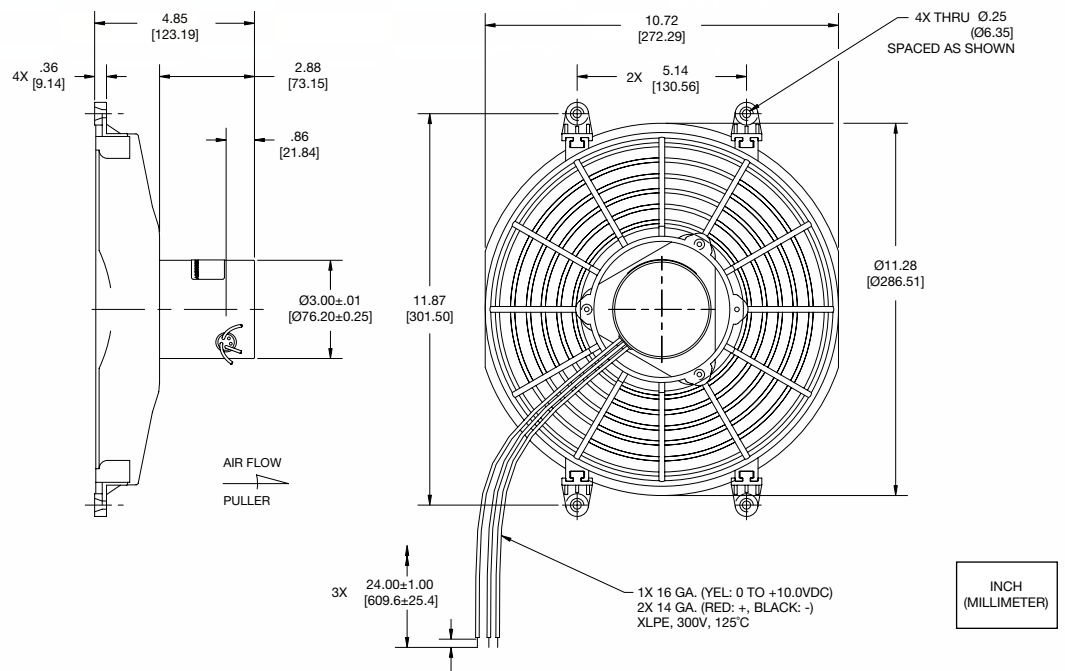
### Performance



## RTP10 Brushless DC Fan

### 40,000 Hour Design Life

### Dimensions



Blower Data	Unit of Measure	Part Number	
		150077-01	150113-01
Voltage Input	VDC	12 (actual 13.8)	24 (actual 27.6)
Flow Rate, Max. (Open Flow)	CFM	698	698
	m <sup>3</sup> /hr	1185	1185

### Typical Performance Points

Air Flow	Pressure		
	in. H <sub>2</sub> O		
0 CFM	0.70		0.70
100 CFM	0.60		0.60
200 CFM	0.50		0.50
300 CFM	0.38		0.38
400 CFM	0.29		0.29
500 CFM	0.20		0.20
600 CFM	0.10		0.10
698 CFM	0.00		0.00

### NOTES:

- \* These fans can be equipped with an option allowing for up to 4 distinct speed settings. Please inquire with the Marketing/Sales Department for specific set points.
- \* Temperature: Working Ambient Air: -40°C to 70°C, Storage Air: -40°C to 85°C.
- \* Environmentally resistant design. Please discuss specific operating environment with the Marketing/Sales Department.
- \* Approximate Typical Weight: 6.0 lbs.

This document is for informational purposes only and should not be considered as a binding description of the products or their performance in all applications. The performance data on this page depicts typical performance under controlled laboratory conditions, data is corrected to 0.075 lb./ft<sup>3</sup> air density (29.92" Hg @ 70° F). Actual performance will vary depending on the operating environment and application. AMETEK products are not designed for use with volatile, hazardous, or corrosive gases. Blower housings are not sealed, slight air/gas leakage will occur. AMETEK Rotron products are not designed for and should not be used in medical life support applications. AMETEK reserves the right to revise its products without notification. The above characteristics represent standard products. For product designed to meet specific applications contact AMETEK Marketing and Sales.

## **AMETEK** **Electromechanical Group (EMG) ...**

*Is one of the world's largest producers of high-speed electric motor products for original equipment manufacturers (OEMs). In business since 1915, EMG uses its core competencies in motion and air movement products as engineered solutions for application-specific needs. A business unit of AMETEK EMG, Technical & Industrial Products offers Brushless DC motor, blower, and controller-based solutions.*

*The standard product lines of AMETEK Precision Motion Control cover a wide range of application demands. If there is a need for a product with unique performance, mounting, environment or agency requirements, AMETEK can supply the solution. Whether a customer needs a standard or a special design, AMETEK has the solution for your application. AMETEK offers economies of scale that only can be accomplished by a company that produces more than 26 million motor products per year. With multi-plant capability and flexibility, AMETEK is positioned to support our customers' global programs.*

*AMETEK Brushless DC Motors, Blowers, Fans, Pumps, and Controllers are an ideal choice for such varied applications as medical instruments, robotics, pumps, compressors, business equipment, fans, machine tools, tape drives, printing, fuel cells, textiles or any other precise rotary motion/air delivery applications.*

## **Locomotive Parts Distribution**

### **Trinity Equipment Co.**

3918 Holton Rd

Muskegon, MI 49445

Phone: 231-557-6110

E Mail: keith@trinityequipmentco.com

## **Bus & Rail Products Repair Facility**

### **Kirk's Automotive Inc.**

9330 Roselawn

Detroit, MI 48204

Phone: 313-933-7030

Fax: 313-933-7073

E Mail: sales@kirksauto.com



## **Transportation Sales Team**

### **Transportation Sales Manager**

Keith Hallenbeck  
100 E. Erie St  
Kent, OH 44240  
Phone: 330-677-3335  
E-Mail: keith.hallenbeck@ametek.com

### ***Eastern Sales Region***

#### **Technical Sales & Application Engineer**

#### **Rotron Transportation Products**

#### **Dynamic Fluid Solutions Business Unit**

Patrick Foley  
7801 Yager Road  
Blossvale, NY 13308  
Phone: 315-520-3874  
E-Mail: patrick.foley@ametek.com

### ***Western Sales Region***

#### **Technical Sales & Application Engineer**

#### **Rotron Transportation Products**

#### **Dynamic Fluid Solutions Business Unit**

Henry Roesler  
21629 N. 261st Ave.  
Buckeye, AZ 85396  
Phone: 928-252-2291  
Cell: 330-715-8914  
E-Mail: henry.roesler@ametek.com

## Transportation Products Warranty

The seller warrants to the buyer that all products to be delivered hereunder will be free from defects in material and workmanship for the time period listed below. The warranty does not cover damage in transit, damage resulting from mishandling by the buyer, his employees or customers, normal wear or improper use of application thereof. The foregoing warranty is in lieu of and excludes all other warranties expressed or implied (including any warranty of merchantability or fitness for purpose). If within the time period below, the buyer notifies the seller promptly that the products delivered hereunder do meet the warranty specified below, the seller will, at its option, issue credit, repair or replace any item or part thereof which is proved to be other than as warranted. The seller undertakes no liability and the buyer waives any claim for the cost for removing old and installing new or replacement parts. Goods returned without the seller's consent will be held at buyer's risk and expense. Any goods returned upon a claim of breach of any warranty shall be returned with transportation costs prepaid by the buyer. If any goods proved to be other than as warranted, transportation costs for return of such goods from buyer's plant will be borne by seller. The following are the specific limits of warranty by product.

### **Seal-Less Type 47FR 18 GPM Water Circulating Pump**

Motor & Pump with date code after 01-01-02; 4 1/2 years from date of shipment, or 4 years from installation.

### **64FR ECDC Air Conditioning Motors & 64FR 26 GPM Pump & Motor**

4 1/2 years from date of shipment, or 4 years from installation.

### **All Other Brushless Motor, Blower & Pump Products**

2 1/2 years from date of shipment, or 2 years from installation.

### **All Brush Motor, Blower & Pump Products**

1 1/2 years from date of shipment, or 1 year from installation