

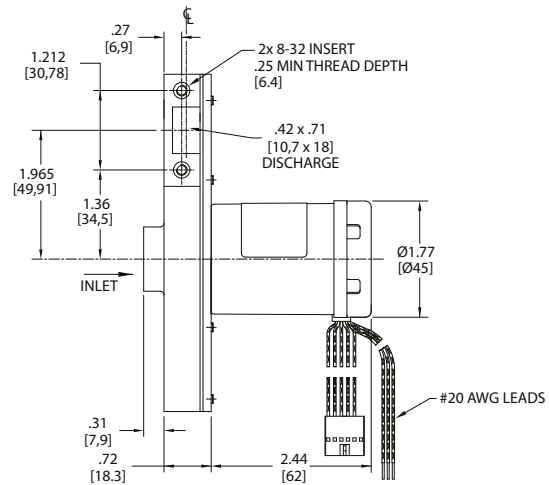
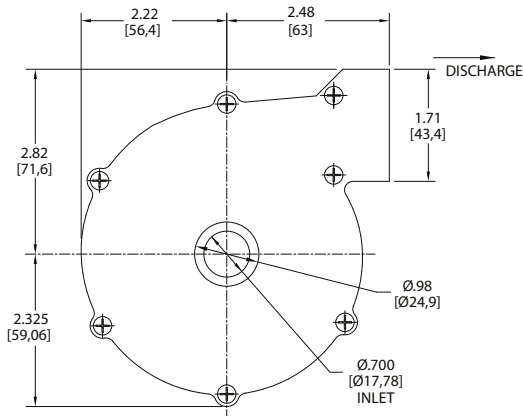
Low Voltage Brushless DC Blowers



5.1" (130mm) BLDC Low-Voltage Blower

24 VDC

INCH
[MM]



		Part/ Model Number
Specification	Units	150193
Voltage	VDC	24
Stages	-	1
Max Sealed Pressure	in. H ₂ O	50.9
	mbar	126.8
Max Open Flow Rate	CFM	26.3
	m ³ /hr	44.7

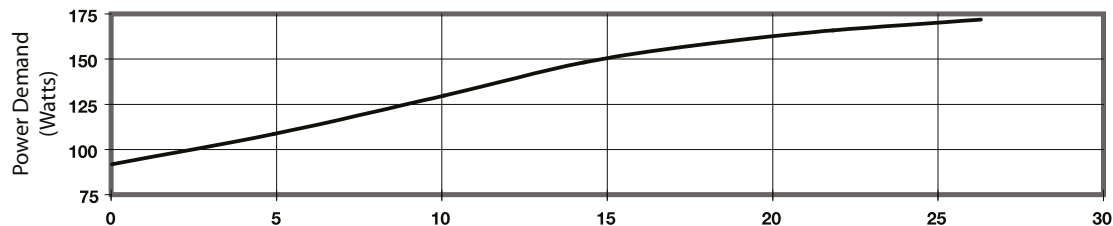
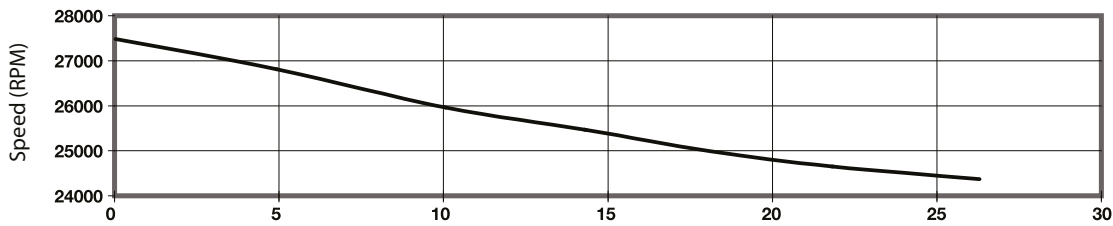
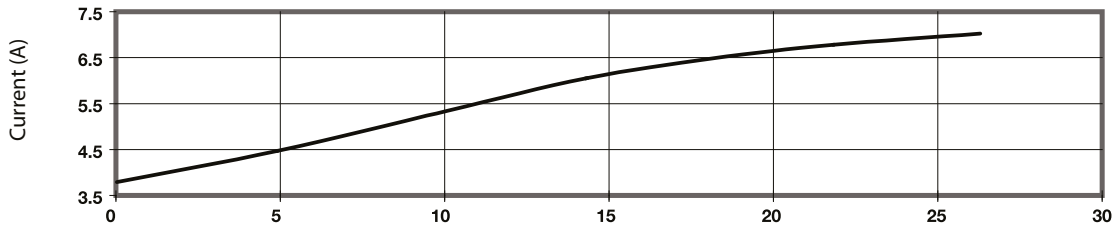
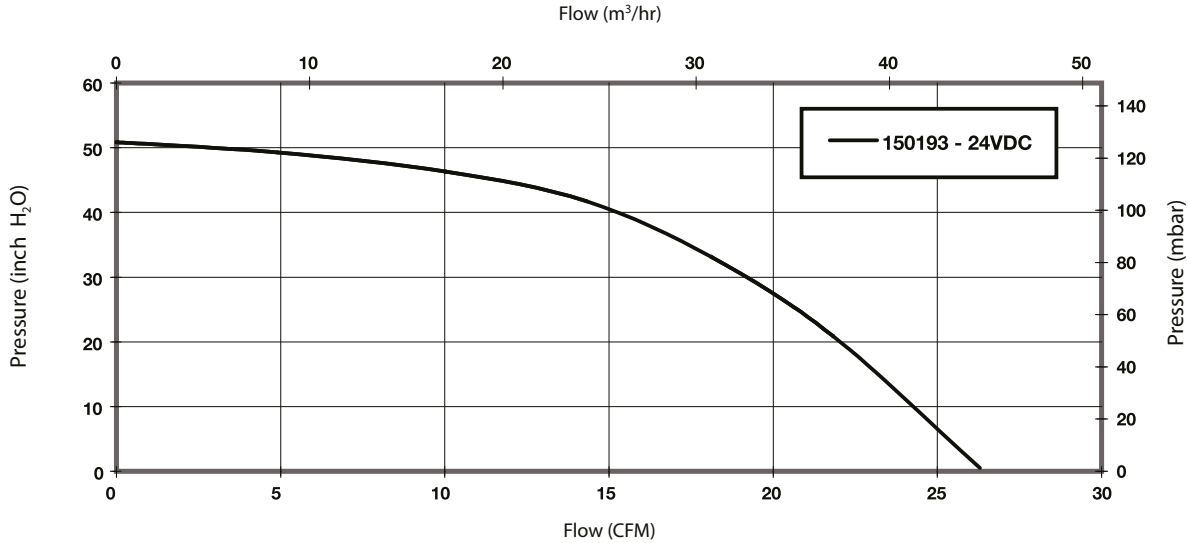
Notes:

- This blower is designed to operate with an external 3-phase controller such as AMETEK's model 48140. Speed control method is a function of the controller that drives the blower. If using AMETEK's 48140, the controller can be set to control speed by potentiometer adjustment or by 0-5V analog speed command. Customized controller functions are available - contact AMETEK sales to inquire.
- **Temperature:** Working Air: 0°C to 45°C, Ambient Air: 0°C to 45°C, Storage: -40°C to 85°C.
- Customized performance available upon request. Please contact AMETEK Technical & Industrial Products' Marketing and Sales Department.
- When used as a vacuum, the blower performance might be less than shown herein, depending on the operating point.
- Product includes a two (2) plane balancing option for reduced vibration.
- **Weight** = 16 oz / .5 kg

This document is for informational purposes only and should not be considered as a binding description of the products or their performance in all applications. The performance data on this page depicts typical performance under controlled laboratory conditions. AMETEK is not responsible for blowers driven beyond factory specified speed, temperature, pressure, flow or without proper alignment. Actual performance will vary depending on the operating environment and application. AMETEK products are not designed for and should not be used in medical life support applications. AMETEK reserves the right to revise its products without notification. The above characteristics represent standard products. For product designed to meet specific applications, contact AMETEK Dynamic Fluid Solutions Sales department.



Typical Performance



Data presented represents blower performance at STANDARD AIR DENSITY, .075 lb/ft³ (29.92" Hg, Sea Level, 68° F)
 Vacuum performance available upon request.

This document is for informational purposes only and should not be considered as a binding description of the products or their performance in all applications. The performance data on this page depicts typical performance under controlled laboratory conditions. AMETEK is not responsible for blowers driven beyond factory specified speed, temperature, pressure, flow or without proper alignment. Actual performance will vary depending on the operating environment and application. AMETEK products are not designed for and should not be used in medical life support applications. AMETEK reserves the right to revise its products without notification. The above characteristics represent standard products. For product designed to meet specific applications, contact AMETEK Dynamic Fluid Solutions Sales department.