

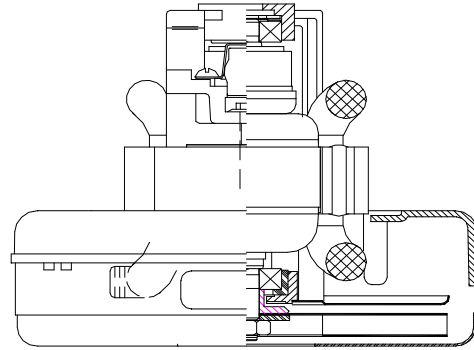


DESCRIPTION

- One stage
- 240 volts
- 5.7"/145 mm diameter
- Ball/ sleeve bearings
- Single speed
- Thru-flow discharge
- Aluminum fan end bracket
- Aluminum commutator bracket

DESIGN APPLICATION

- Equipment operating in environments not requiring separation of working air from motor ventilating air
- Designed to handle clean, dry, filtered air only

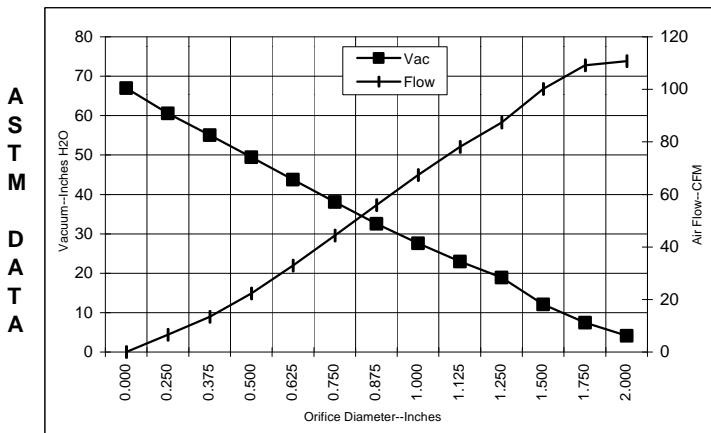


SPECIAL FEATURES

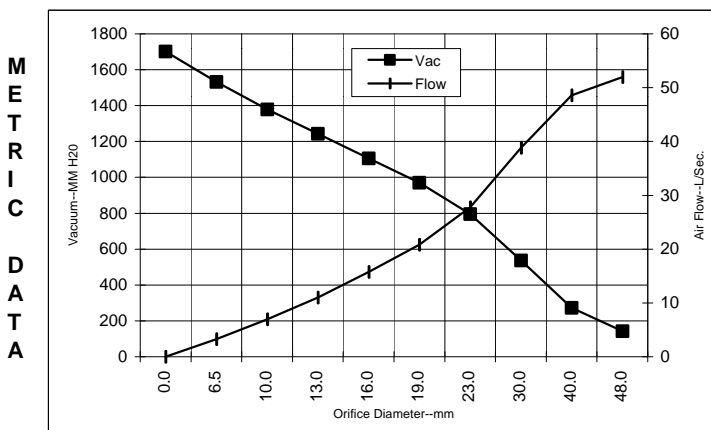
- Suitable for 240 volt AC operation, 50/60 Hz
- UL recognized, category PGRY2 (E47185)
- Provision for grounding
- Skeleton-frame design
- Thermal protection, automatic reset, UL category XEWR2 (E27701)
- The Lamb Electric vacuum motor line offers a wide range of performance levels to meet design needs

TYPICAL MOTOR PERFORMANCE.*

(At 240 volts, 60Hz, test data is corrected to standard conditions of 29.92 Hg, 68° F.)



Orifice (Inches)	Amps	Watts (In)	RPM	Vac (In.H ₂ O)	Flow (CFM)	Air Watts
2.000	4.0	874	21351	4.2	110.8	52
1.750	4.0	884	21271	7.5	109.1	97
1.500	4.0	886	21236	12.1	100.2	142
1.250	4.0	884	21246	18.9	87.3	194
1.125	4.0	868	21468	23.0	78.1	212
1.000	3.9	848	21872	27.6	67.4	219
0.875	3.7	811	22414	32.6	55.9	214
0.750	3.5	772	23071	38.1	44.3	198
0.625	3.3	722	23994	43.8	32.9	169
0.500	3.0	675	24991	49.5	22.3	130
0.375	2.8	617	26050	55.1	13.4	87
0.250	2.6	578	27109	60.6	6.6	47
0.000	2.4	547	28044	67.0	0.0	0



Orifice (mm)	Amps	Watts (In)	RPM	Vac (mm H ₂ O)	Flow (L/Sec)	Air Watts
48.0	3.8	878	21316	143	51.9	72
40.0	4.0	885	21247	272	48.6	129
30.0	4.0	875	21368	537	38.8	204
23.0	3.7	820	22279	796	27.7	215
19.0	3.5	771	23089	971	20.8	197
16.0	3.3	724	23957	1107	15.7	170
13.0	3.1	680	24891	1243	11.0	134
10.0	2.8	626	25891	1378	7.0	93
6.5	2.6	580	27056	1532	3.3	49
0.0	2.4	547	28044	1702	0.0	0

Note: Metric performance data is calculated from the ASTM data above.

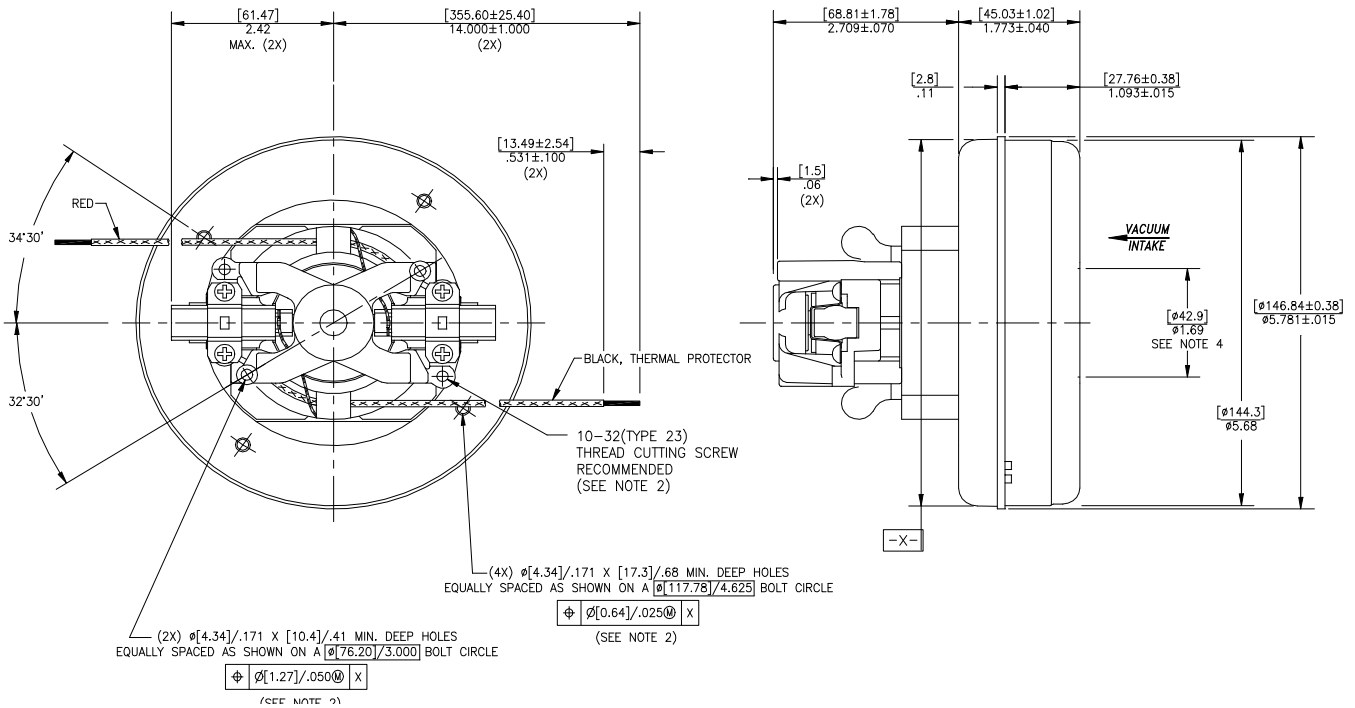
* Data represents performance of a typical motor sampled from a large production quantity. Individual motor data may vary due to normal manufacturing variations.

Test Specs:	240	Minimum Sealed Vacuum:	63.0"	ORIFICE:	7/8"	Minimum Vacuum:	29.0"	Maximum Watts:	1010
--------------------	-----	-------------------------------	-------	-----------------	------	------------------------	-------	-----------------------	------

DIMENSIONS

NOTES:

1. LEADS: 18GA STRANDED. LEADS CAN BE ANY COLOR EXCEPT GREEN OR GREEN WITH YELLOW STRIPE.
2. GROUNDING OR EARTHING PROVISIONS: USE HOLES AS INDICATED FOR GROUNDING OR EARTHING. REFER TO APPROPRIATE LISTING OR REGULATORY AGENCY FOR PROPER METHOD OF GROUNDING OR EARTHING.
3. MOTOR IDENTIFICATION: MANUFACTURER'S NAME, MODEL NUMBER, VOLTAGE, FREQUENCY, INSPECTOR'S CODE, DATE OF MANUFACTURE, AGENCY RECOGNITION CODE; PLANT LOCATION CODE, "THERMALLY PROTECTED L 3.8 AMPS" AND COUNTRY OF ORIGIN
4. MOUNTING MUST NOT RESTRICT THIS DIAMETER.



IMPORTANT NOTE: Pictorial and dimensional data are subject to change without notice. Contact factory for current revision levels.

WARNING - AMETEK Lamb Electric thru-flow vacuum motors must never be used in applications in which wet or moist conditions are involved, where dry chemicals or other volatile materials are present, or where airflow may be restricted or blocked. Such motors are designed to permit the vacuumed air to pass over the electrical winding to cool it. Thus any foam, liquid (including water), dry chemical, or other foreign substance coming in contact with electrical conductors could cause combustion (depending on volatility) or electrical shock. Failure to observe these precautions could result in property damage and severe personal injury, including death in extreme cases. All applications incorporating Lamb Electric motors should be submitted to Underwriters Laboratories Inc. or other appropriate organizations or agencies for testing specifically related to the safety of your equipment.

AMETEK Lamb Electric
 627 Lake Street
 Kent, Ohio 44240
 U.S.A.
 Tel: (330) 673-3451
 Fax: (330) 673-8994

AMETEK GmbH
 P. O. Box 1251
 D-71667 Marbach
 Germany
 Tel: +49-0714-4849512
 Fax: +49-0714-484-9513

AMETEK Singapore Pvt. Ltd.
 10 Ang Mo Kio Street 65
 # 05-12 Techpoint
 Singapore 2056
 Tel: + 65-484-2388
 Fax: + 65-481-6588