



Floorcare & Specialty Motors

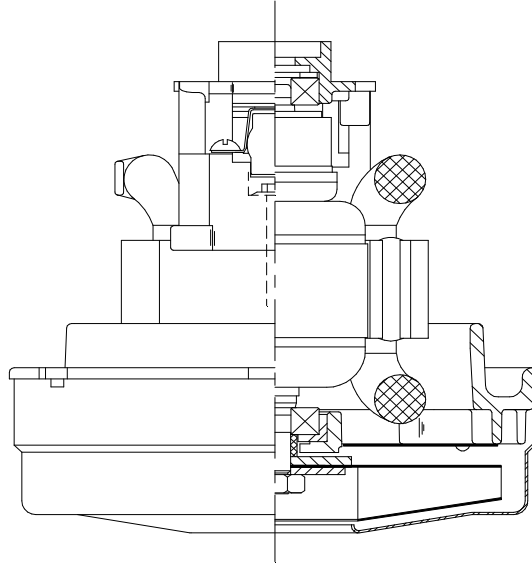
Model: 122201-00

DESCRIPTION

- One stage
- 240 volts
- 5.1"/130 mm diameter
- Double ball bearings
- Single speed
- Thru-flow discharge
- Thermostet fan end bracket
- Aluminum commutator bracket

DESIGN APPLICATION

- Equipment operating in environments not requiring separation of working air from motor ventilating air
- Designed to handle clean, dry, filtered air only

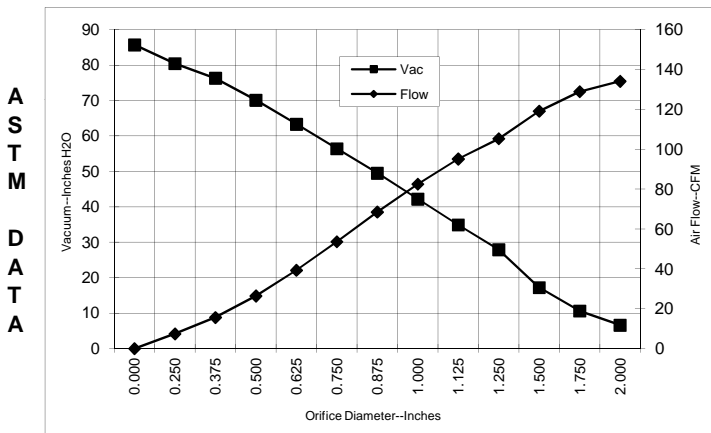


SPECIAL FEATURES

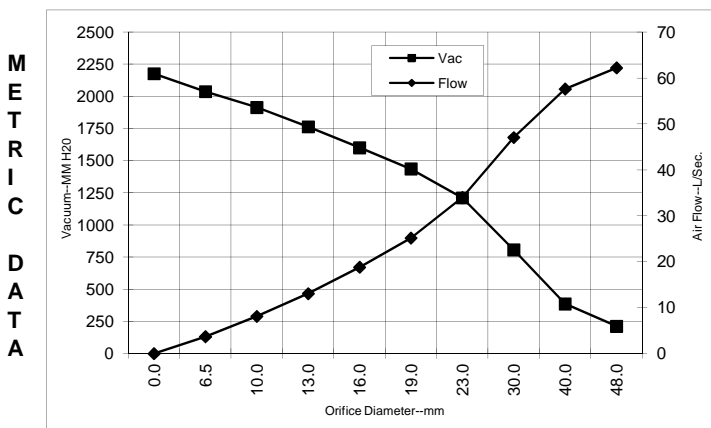
- Suitable for 240 volt AC operation, 50/ 60 Hz
- UL recognized, category PRGY2 (E47185)
- Provision for grounding
- Skeleton-frame design
- Tapered fan system
- Thermal Device
- High airflow fan system
- The Lamb Electric vacuum motor line offers a wide range of performance levels to meet design needs

TYPICAL MOTOR PERFORMANCE.*

(At 240 volts, 60Hz, test data is corrected to standard conditions of 29.92 Hg, 68°F.)



Orifice (Inches)	Amps	Watts (In)	RPM	Vac (In.H2O)	Flow (CFM)	Air Watts
2.000	4.8	1123	28378	6.6	134.1	105
1.750	4.9	1138	28150	10.6	128.9	161
1.500	4.9	1148	28074	17.2	119.1	241
1.250	4.9	1141	28002	27.9	105.3	345
1.125	4.8	1121	28300	34.9	95.1	389
1.000	4.6	1086	28612	42.2	82.5	409
0.875	4.4	1039	29390	49.5	68.5	399
0.750	4.2	978	30238	56.4	53.6	355
0.625	3.8	900	31408	63.3	39.3	292
0.500	3.5	828	32870	70.1	26.4	218
0.375	2.1	746	34348	76.3	15.6	140
0.250	2.9	692	35784	80.4	7.4	70
0.000	2.7	654	36764	85.7	0.0	0



Orifice (mm)	Amps	Watts (In)	RPM	Vac (mm H2O)	Flow (L/Sec)	Air Watts
48.0	4.8	1130	28278	212	62.2	130
40.0	4.9	1145	28097	387	57.6	217
30.0	4.8	1130	28166	806	47.1	369
23.0	4.5	1051	29196	1211	34.0	402
19.0	4.2	976	30261	1436	25.2	354
16.0	3.8	903	31361	1601	18.8	295
13.0	3.5	835	32724	1763	13.1	225
10.0	2.3	758	34126	1914	8.1	152
6.5	2.9	695	35712	2037	3.7	74
0.0	2.7	654	36764	2177	0.0	0

Note: Metric performance data is calculated from the ASTM data above.

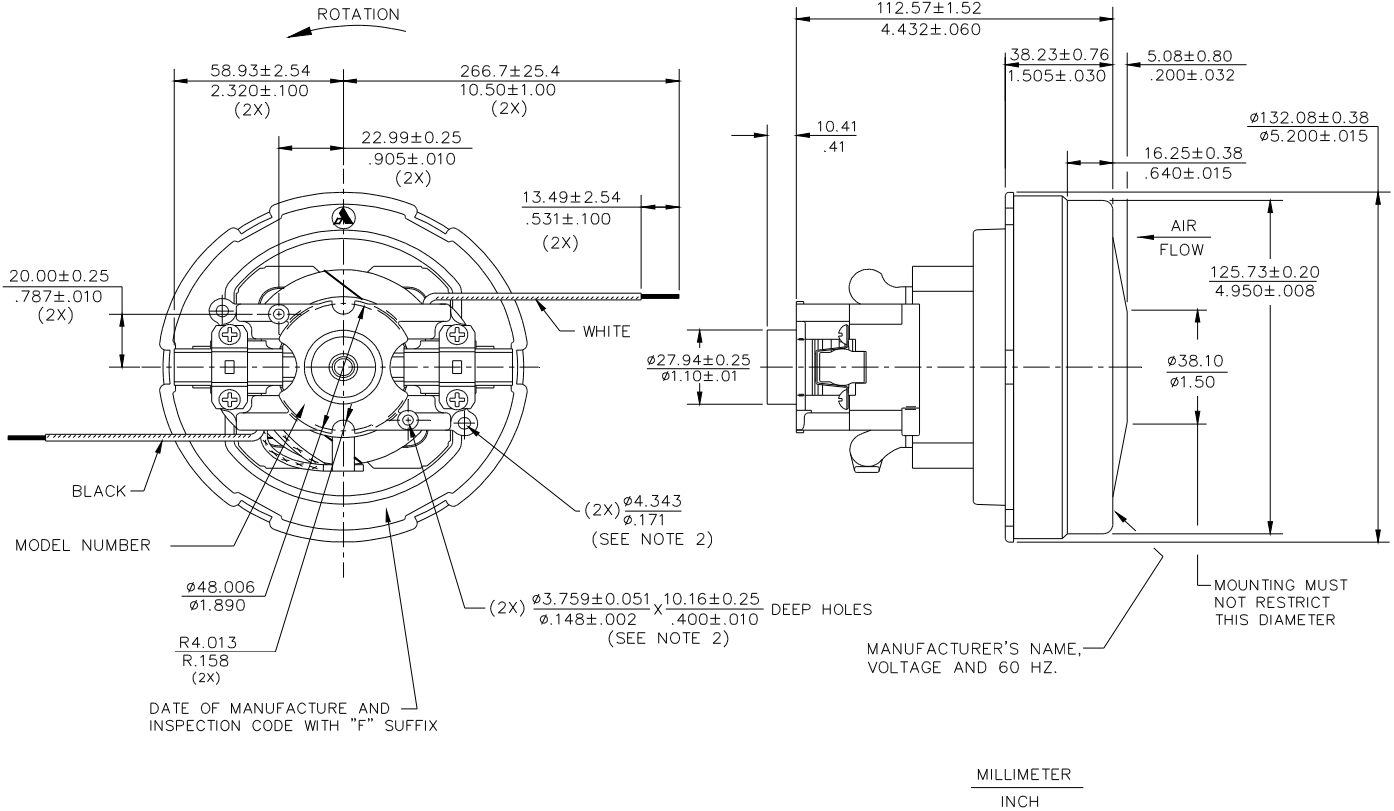
* Data represents performance of a typical motor sampled from a large production quantity. Individual motor data may vary due to normal manufacturing variations.

Test Specs:	240 volts	Minimum Sealed Vacuum:	80.0"	ORIFICE:	7/8 "	Minimum Vacuum:	42.0	Maximum Watts:	1120
-------------	-----------	------------------------	-------	----------	-------	-----------------	------	----------------	------

DIMENSIONS

NOTES:

1. LEADS: 18GA STRANDED.
2. GROUNDING OR EARTHING PROVISIONS: USE HOLES AS INDICATED FOR GROUNDING OR EARTHING. REFER TO APPROPRIATE LISTING OR REGULATORY AGENCY FOR PROPER METHOD OF GROUNDING OR EARTHING.



IMPORTANT NOTE: Pictorial and dimensional data are subject to change without notice. Contact factory for current revision levels.

WARNING - AMETEK Lamb Electric thru-flow vacuum motors must never be used in applications in which wet or moist conditions are involved, where dry chemicals or other volatile materials are present, or where airflow may be restricted or blocked. Such motors are designed to permit the vacuumed air to pass over the electrical winding to cool it. Thus any foam, liquid (including water), dry chemical, or other foreign substance coming in contact with electrical conductors could cause combustion (depending on volatility) or electrical shock. Failure to observe these precautions could result in property damage and severe personal injury, including death in extreme cases. All applications incorporating Lamb Electric motors should be submitted to Underwriters Laboratories Inc. or other appropriate organizations or agencies for testing specifically related to the safety of your equipment.

AMETEK/Floorcare & Specialty Motors
 627 Lake Street
 Kent, Ohio 44240
 U.S.A.
 Tel: (330) 673-3451 Fax: (330) 677-3812
 www.lambelectric.com