



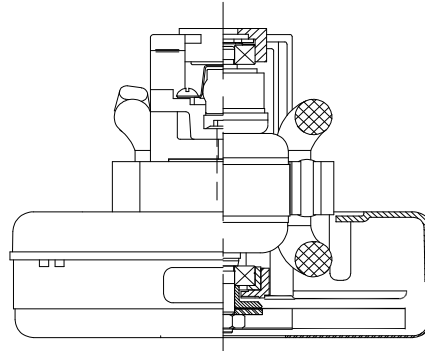
Model: 119860-00

DESCRIPTION

- One stage
- 120 volts
- 5.7"145 mm diameter
- Ball/ Sleeve bearings
- Single speed
- Thru-flow discharge
- Aluminum fan end bracket
- Aluminum commutator bracket

DESIGN APPLICATION

- Equipment operating in environments not requiring separation of working air from motor ventilating air
- Designed to handle clean, dry, filtered air only

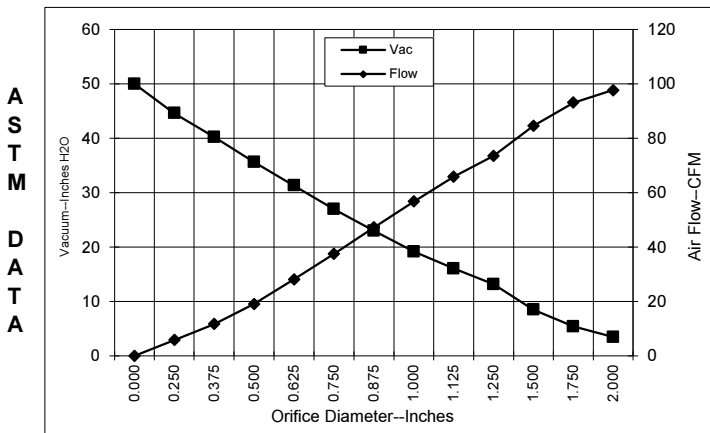


SPECIAL FEATURES

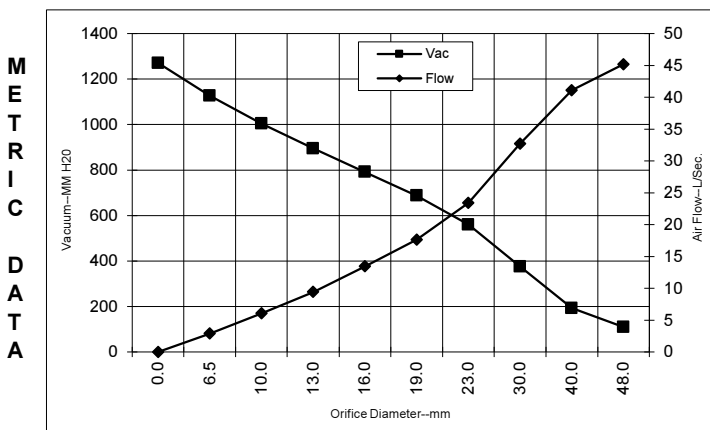
- Suitable for 120 volt AC operation, 50/60 Hz
- UL recognized, category PRGY2 (E47185)
- CSA certified, class 1611 01 (LR31393)
- Provision for grounding
- Skeleton-frame design
- The Lamb Electric vacuum motor line offers a wide range of performance levels to meet design needs

TYPICAL MOTOR PERFORMANCE.*

(At 120 volts, 60Hz, test data is corrected to standard conditions of 29.92 Hg, 68° F.)



Orifice (Inches)	Amps	Watts (In)	RPM	Vac (In.H ₂ O)	Flow (CFM)	Air Watts
2.000	4.9	565	17715	3.5	97.7	40
1.750	5.0	565	17620	5.4	93.1	59
1.500	5.0	567	17625	8.5	84.5	85
1.250	4.9	561	17750	13.2	73.5	114
1.125	4.8	553	17935	16.1	65.9	125
1.000	4.7	539	18225	19.2	56.8	128
0.875	4.5	520	18715	23.0	47.2	128
0.750	4.3	497	19320	27.0	37.6	119
0.625	4.1	471	20050	31.3	28.1	104
0.500	3.8	443	20835	35.7	19.1	80
0.375	3.6	414	21840	40.2	11.7	56
0.250	3.4	391	22760	44.6	5.8	31
0.000	3.2	373	23560	50.0	0.0	0



Orifice (mm)	Amps	Watts (In)	RPM	Vac (mm H ₂ O)	Flow (L/Sec)	Air Watts
48.0	4.9	565	17673	110	45.1	48
40.0	5.0	566	17624	193	41.1	77
30.0	4.9	557	17852	375	32.7	120
23.0	4.6	525	18593	560	23.4	128
19.0	4.3	496	19335	688	17.6	119
16.0	4.1	472	20021	791	13.4	105
13.0	3.8	446	20757	895	9.4	82
10.0	3.6	418	21689	1005	6.1	60
6.5	3.4	392	22714	1127	2.9	32
0.0	3.2	373	23560	1270	0.0	0

Note: Metric performance data is calculated from the ASTM data above.

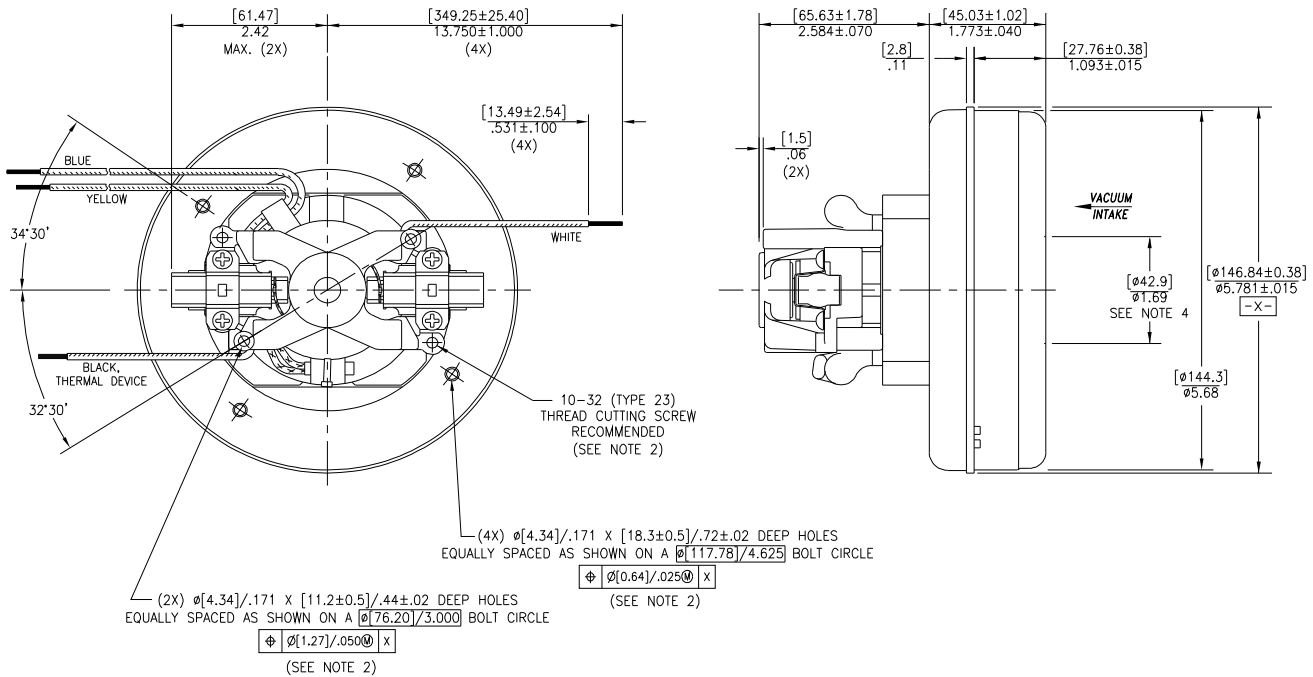
* Data represents performance of a typical motor sampled from a large production quantity. Individual motor data may vary due to normal manufacturing variations.

Test Specs:	120 volts	Minimum Sealed Vacuum: 40"	ORIFICE: 7/8"	Minimum Vacuum: 1 26.0"	Maximum Watts: 850
--------------------	-----------	-----------------------------------	----------------------	--------------------------------	---------------------------

DIMENSIONS

NOTES:

1. LEADS: 18GA STRANDED.
2. GROUNDING OR EARTHING PROVISIONS: USE HOLES AS INDICATED FOR GROUNDING OR EARTHING. REFER TO APPROPRIATE LISTING OR REGULATORY AGENCY FOR PROPER METHOD OF GROUNDING OR EARTHING.
3. MOTOR IDENTIFICATION: MANUFACTURER'S NAME, MODEL NUMBER, VOLTAGE, FREQUENCY, INSPECTOR'S CODE, DATE OF MANUFACTURE, AGENCY RECOGNITION CODE, PLANT LOCATION CODE AND COUNTRY OF ORIGIN.
4. MOUNTING MUST NOT RESTRICT THIS DIAMETER.
5. ELECTRICAL CONNECTIONS: BLACK AND YELLOW= HIGH
BLACK AND WHITE= MEDIUM
BLACK AND BLUE= LOW



IMPORTANT NOTE: Pictorial and dimensional data are subject to change without notice. Contact factory for current revision levels.

WARNING - AMETEK Lamb Electric thru-flow vacuum motors must never be used in applications in which wet or moist conditions are involved, where dry chemicals or other volatile materials are present, or where airflow may be restricted or blocked. Such motors are designed to permit the vacuumed air to pass over the electrical winding to cool it. Thus any foam, liquid (including water), dry chemical, or other foreign substance coming in contact with electrical conductors could cause combustion (depending on volatility) or electrical shock. Failure to observe these precautions could result in property damage and severe personal injury, including death in extreme cases. All applications incorporating Lamb Electric motors should be submitted to Underwriters Laboratories Inc. or other appropriate organizations or agencies for testing specifically related to the safety of your equipment.

AMETEK Dynamic Fluid Solutions
www.ametekdfs.com