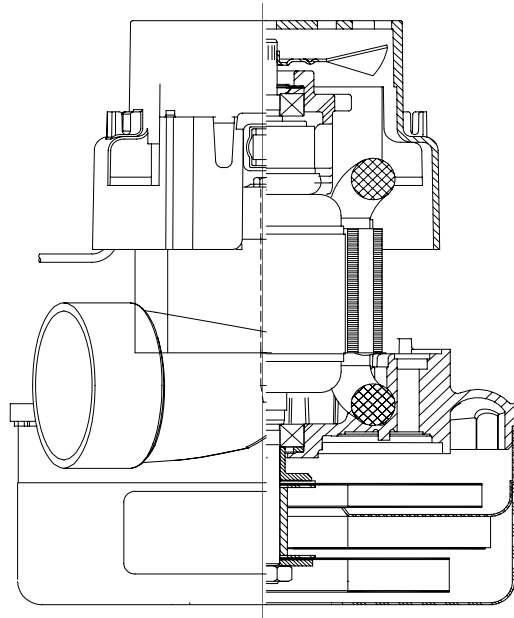


DESCRIPTION

- Two stage
- 120 volts
- 5.7"/145 mm diameter
- Double ball bearings
- Single speed
- Tangential bypass discharge
- Aluminum Fan End Bracket
- Thermoset commutator bracket

DESIGN APPLICATION

- Equipment operating in environments requiring separation of working air from motor ventilating air
- Designed to handle clean, dry, filtered air only



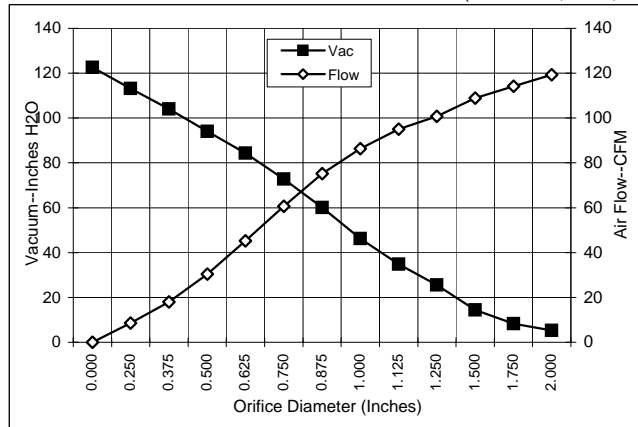
SPECIAL FEATURES

- Suitable for 120 volt AC operation 50/60 Hz
- UL recognized, category PRGY2 (E47185)
- CSA Certified, MC# 168884, Class 1611-30
- Provision for grounding
- Skeleton frame design
- Robust Commutator
- Large Face Carbon Brushes
- Aluminum fan end bracket designed to dampen vibration and improve durability
- The GS vacuum motors offer a range of performance levels to meet design needs.

TYPICAL MOTOR PERFORMANCE.*

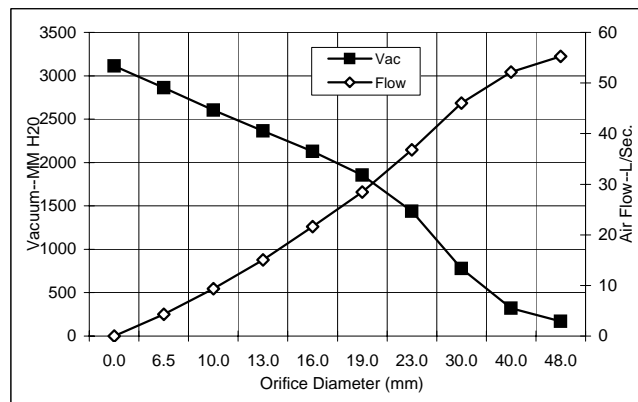
(At 120 volts, 60Hz, test data is corrected to standard conditions of 29.92 Hg, 68° F.)

ASTM DATA



Orifice (Inches)	Amps	Watts (In)	RPM	Vac (In.H ₂ O)	Flow (CFM)	Air Watts
2.000	14.8	1712	23570	5.3	119.3	74
1.750	14.8	1703	23570	8.3	114.2	111
1.500	14.7	1695	23570	14.4	108.9	184
1.250	14.6	1691	23670	25.5	100.7	301
1.125	14.5	1682	23770	34.8	95.0	388
1.000	14.3	1668	23870	46.3	86.3	469
0.875	14.2	1644	24060	60.1	75.2	530
0.750	13.6	1589	24560	72.8	60.6	518
0.625	12.9	1509	25460	84.3	45.2	447
0.500	11.9	1404	26450	94.0	30.4	336
0.375	11.0	1301	27740	104.0	18.0	220
0.250	10.1	1201	29140	113.1	8.6	114
0.000	9.4	1128	30230	122.6	0.0	0

METRIC DATA



Orifice (mm)	Amps	Watts (In)	RPM	Vac (mm H ₂ O)	Flow (L/Sec)	Air Watts
48.0	14.8	1708	23570	168	55.3	90
40.0	14.7	1697	23570	319	52.2	162
30.0	14.5	1686	23725	778	46.1	349
23.0	14.2	1650	24013	1439	36.8	515
19.0	13.6	1587	24578	1855	28.5	517
16.0	12.9	1512	25424	2130	21.6	450
13.0	12.0	1415	26351	2363	15.0	347
10.0	11.1	1316	27547	2604	9.4	237
6.5	10.1	1206	29070	2861	4.3	119
0.0	9.4	1128	30230	3114	0.0	0

Note: Metric performance data is calculated from the ASTM data above.

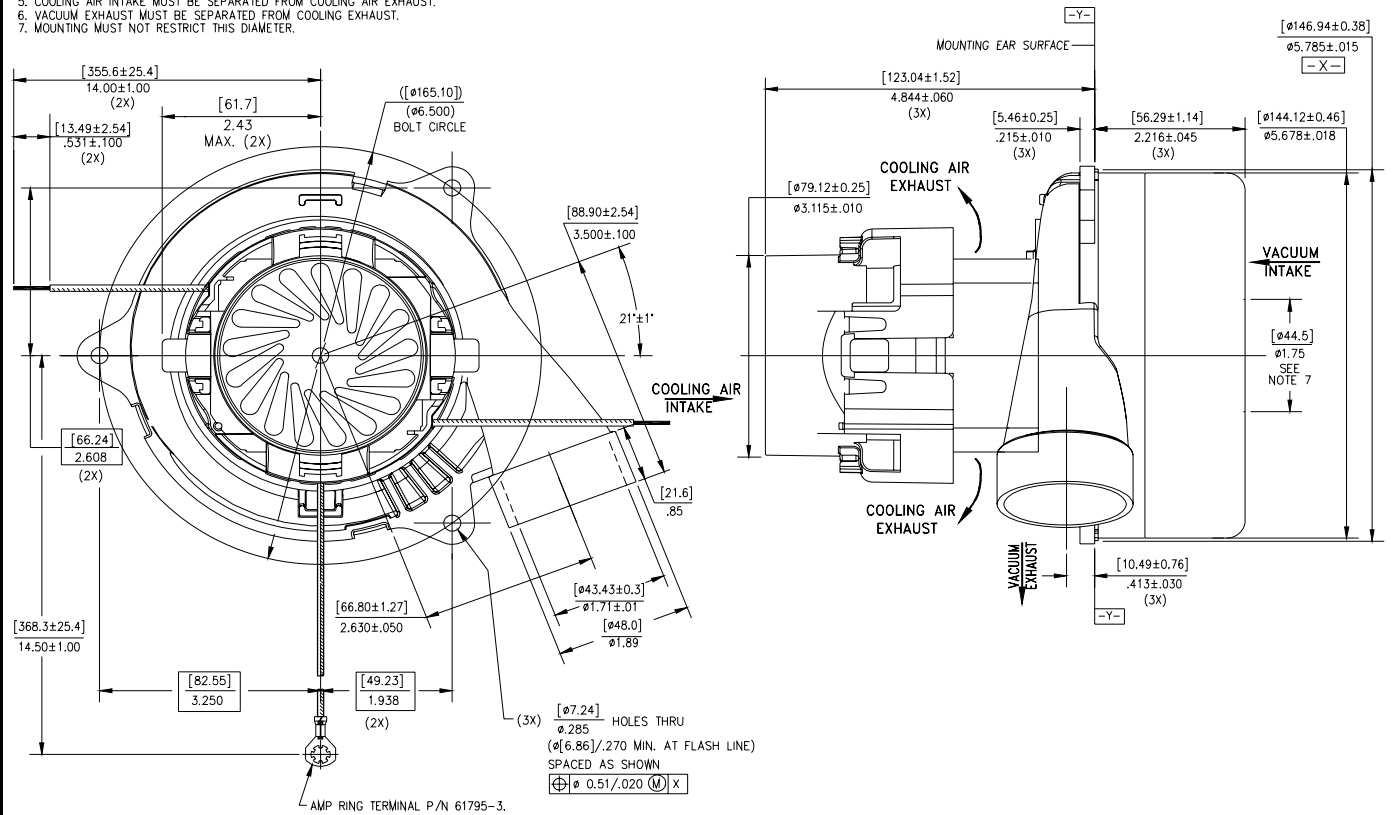
* Data represents performance of a typical motor sampled from a large production quantity. Individual motor data may vary to normal manufacturing variations.

Test Specs:	120 volts	Minimum Sealed Vacuum:	117.0	ORIFICE:	7/8"	Minimum Vacuum:	57.0	Maximum Watts:	1760
--------------------	-----------	-------------------------------	-------	-----------------	------	------------------------	------	-----------------------	------

DIMENSIONS

NOTES:

1. POWER LEADS: 18GA STRANDED. LEADS CAN BE ANY COLOR EXCEPT GREEN OR GREEN WITH YELLOW STRIPE.
2. GROUND LEAD: 18 GA. STRANDED; COLOR: GREEN WITH YELLOW STRIPE.
3. MOTOR IDENTIFICATION: MANUFACTURER'S NAME, MODEL NUMBER, VOLTAGE, FREQUENCY, INSPECTORS CODE, DATE OF MANUFACTURE, AGENCY RECOGNITION CODE, PLANT LOCATION CODE, PATENT INFORMATION, "ONE OR MORE OF THE FOLLOWING PATENTS APPLY TO THIS MOTOR: 5482378; 5736805; 4669952; 4684835" AND COUNTRY OF ORIGIN.
4. ALLOW 10.0016 SQ MM/2.5 SQ IN. MIN. FOR COOLING AIR INTAKE.
5. COOLING AIR INTAKE MUST BE SEPARATED FROM COOLING AIR EXHAUST.
6. VACUUM EXHAUST MUST BE SEPARATED FROM COOLING EXHAUST.
7. MOUNTING MUST NOT RESTRICT THIS DIAMETER.



IMPORTANT NOTE: Pictorial and dimensional data are subject to change without notice. Contact factory for current revision levels.

WARNING - AMETEK Global Motor Division thru-flow vacuum motors must never be used in applications in which wet or moist conditions are involved, where dry chemicals or other volatile materials are present, or where airflow may be restricted or blocked. Such motors are designed to permit the vacuumed air to pass over the electrical winding to cool it. Thus any foam, liquid (including water), dry chemical, or other foreign substance coming in contact with electrical conductors could cause combustion (depending on volatility) or electrical shock. Failure to observe these precautions could result in property damage and severe personal injury, including death in extreme cases. All applications incorporating Ametek commercial motors should be submitted to Underwriters Laboratories Inc. or other appropriate organizations or agencies for testing specifically related to the safety of your equipment.

AMETEK - Global Motors
 627 Lake Street
 Kent, Ohio 44240
 U.S.A.
 Tel: (330) 673-3451 Fax: (330) 677-3812
 www.specialtymotors.com or www.lambelectric.com