



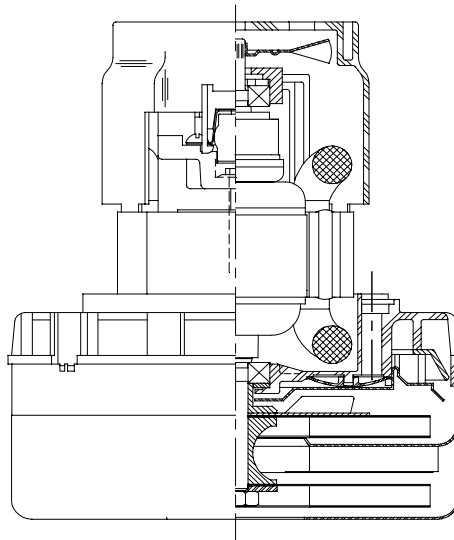
**Model: 116599-13**

**DESCRIPTION**

- Two stage
- 24 volts
- 5.7"/145 mm diameter
- Double ball bearings
- Single speed
- ACUSTEK® low-noise peripheral bypass discharge
- Thermoset fan end bracket
- Aluminum commutator bracket

**DESIGN APPLICATION**

- Equipment operating in environments requiring separation of working air from motor ventilating air
- Designed to handle clean, dry, filtered air only

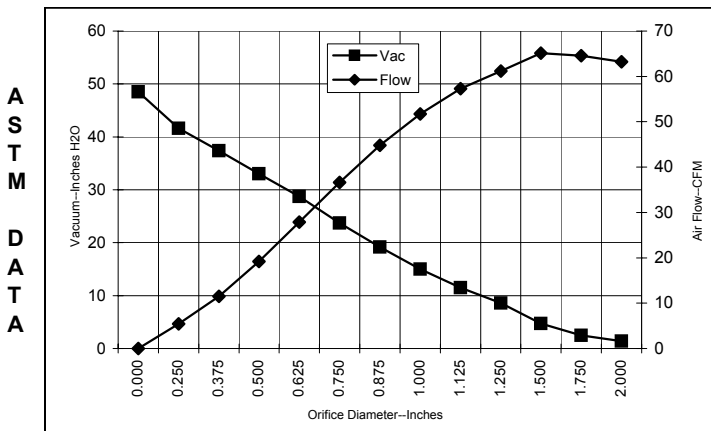


**SPECIAL FEATURES**

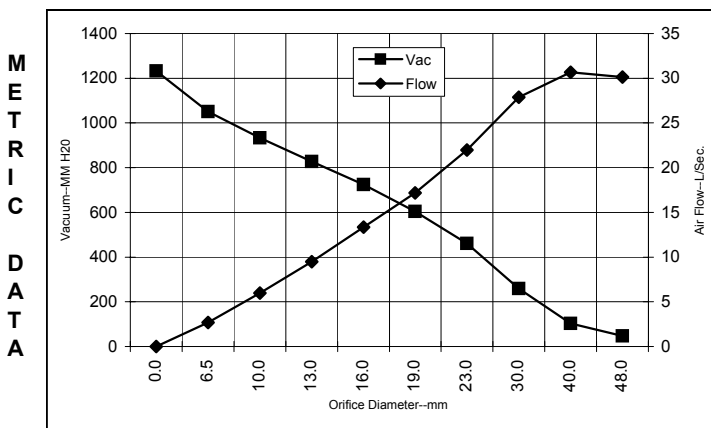
- Suitable for 24 volt DC operation
- UL Recognized, category PRGY2 (E47185)
- Provision for grounding
- Skeleton-frame design
- Epoxy painted fan case
- Patented air seal bearing construction. U.S. Patent #4,088,424
- ACUSTEK® low noise design, U.S. Patent #1,417,200
- The Lamb Electric vacuum motor line offers a wide range of performance levels to meet design needs.

**TYPICAL MOTOR PERFORMANCE.\***

(At 24 volts DC, test data is corrected to standard conditions of 29.92 Hg, 68° F.)



Orifice (Inches)	Amps	Watts (In)	RPM	Vac (In.H <sub>2</sub> O)	Flow (CFM)	Air Watts
2.000	16.9	420	12630	1.4	63.2	10
1.750	16.9	422	12640	2.5	64.6	19
1.500	17.0	424	12610	4.7	65.1	36
1.250	17.1	426	12540	8.6	61.2	62
1.125	17.1	426	12530	11.5	57.3	77
1.000	17.0	424	12560	15.0	51.7	91
0.875	16.8	419	12690	19.2	44.8	101
0.750	16.4	410	12960	23.7	36.6	102
0.625	15.6	389	13400	28.7	27.9	94
0.500	14.8	370	13910	33.0	19.2	74
0.375	14.0	348	14590	37.4	11.5	50
0.250	13.1	324	15210	41.6	5.4	26
0.000	12.5	308	15840	48.5	0.0	0



Orifice (mm)	Amps	Watts (In)	RPM	Vac (mm H <sub>2</sub> O)	Flow (L/Sec)	Air Watts
48.0	16.9	421	12634	48	30.1	14
40.0	17.0	423	12619	103	30.7	31
30.0	17.1	426	12535	259	27.9	70
23.0	16.9	420	12658	461	22.0	99
19.0	16.4	410	12969	605	17.2	102
16.0	15.7	390	13382	724	13.3	94
13.0	14.9	372	13859	827	9.5	76
10.0	14.1	351	14488	933	6.0	54
6.5	13.2	325	15179	1051	2.7	27
0.0	12.5	308	15840	1232	0.0	0

Note: Metric performance data is calculated from the ASTM data above.

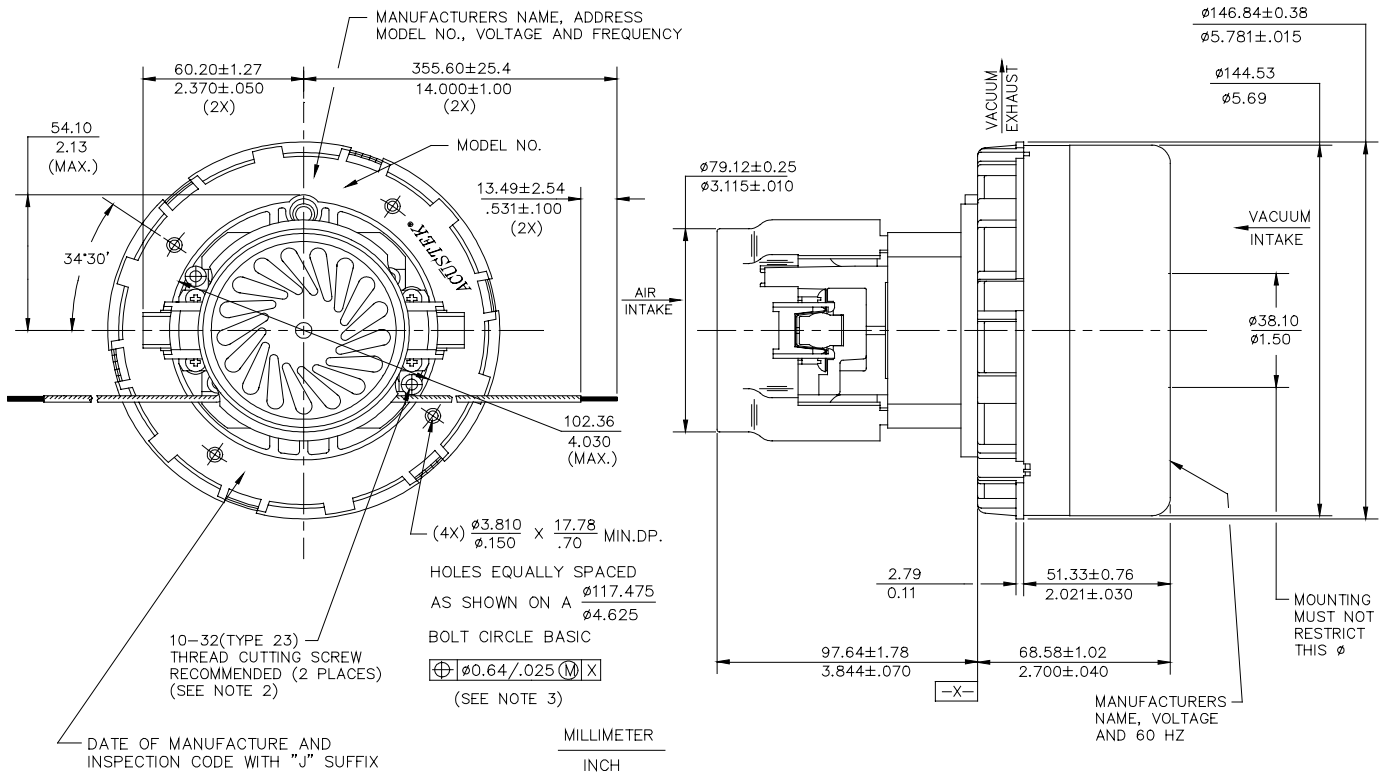
\* Data represents performance of a typical motor sampled from a large production quantity. Individual motor data may vary due to normal manufacturing variations.

<b>Test Specs:</b>	24 volts	<b>Minimum Sealed Vacuum:</b>	45.1"	<b>ORIFICE:</b>	7/8 "	<b>Minimum Vacuum:</b>	17.5"	<b>Maximum Watts:</b>	480
--------------------	----------	-------------------------------	-------	-----------------	-------	------------------------	-------	-----------------------	-----

**DIMENSIONS**

NOTES:

1. LEADS: 14GA STRANDED, LEADS CAN BE ANY COLOR EXCEPT GREEN OR GREEN WITH YELLOW STRIPE.
2. GROUNDING OR EARTHING PROVISIONS: USE HOLES AS INDICATED FOR GROUNDING OR EARTHING. REFER TO APPROPRIATE LISTING OR REGULATORY AGENCY FOR PROPER METHOD OF GROUNDING OR EARTHING.
3. RECOMMENDED SCREW SIZE 10-16 TYPE BT OR 25 THREAD CUTTING SCREW. MAXIMUM PENETRATION 17.40/.685.



**IMPORTANT NOTE:** Pictorial and dimensional data are subject to change without notice. Contact factory for current revision levels.

**WARNING** - When using AMETEK Lamb Electric bypass motors in machines that come in contact with foam, liquid (including water), or other foreign substances, the machine must be designed and constructed to prevent those substances from reaching the fan system, motor housing, and electrical components. Lamb Electric vacuum motors other than hazardous duty models should not be applied in machines that come in contact with dry chemicals or other volatile materials. Failure to observe these precautions could cause flashing (depending on volatility) or electrical shock which could result in property damage and severe bodily injury, including death in extreme cases. All applications incorporating Lamb Electric motors should be submitted to appropriate organizations or agencies for testing specifically related to the safety of your equipment.

**AMETEK/Lamb Electric Division**  
627 Lake Street  
Kent, Ohio 44240  
U.S.A.  
Tel: (330) 673-3451  
Fax: (330) 673-8994

**Ametek GmbH**  
P. O. Box 1251  
D-71667 Marbach  
Germany  
Phone: + 49-714-484-9512  
Fax: + 49-714-484-9513

**AMETEK/Singapore Private Limited**  
10 Ang Mo Kio Street 65  
# 05-12 Techpoint  
Singapore 2056  
Tel: + 65-484-2388  
Fax: + 65-481-6588