



**AMETEK**  
**LAMB ELECTRIC**

**Product Bulletin**

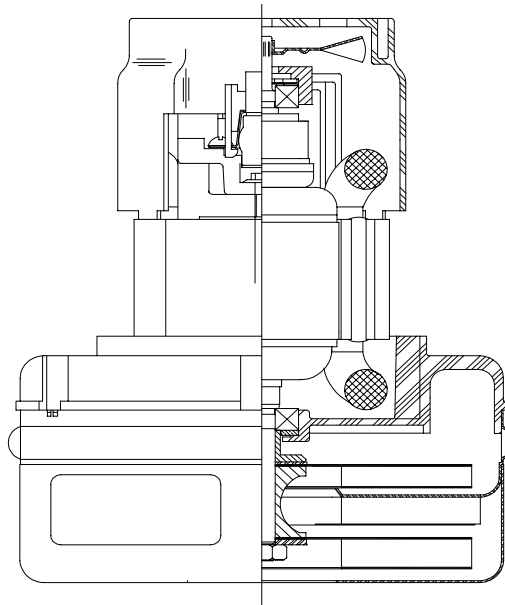
**Model: 116352-00**

**DESCRIPTION**

- Two stage
- 220 volts
- 5.7"/145 mm diameter
- Double ball bearings
- Single speed
- Peripheral bypass discharge
- Thermoset fan end bracket
- Aluminum commutator bracket

**DESIGN APPLICATION**

- Equipment operating in environments requiring separation of working air from motor ventilating air
- Designed to handle clean, dry, filtered air only



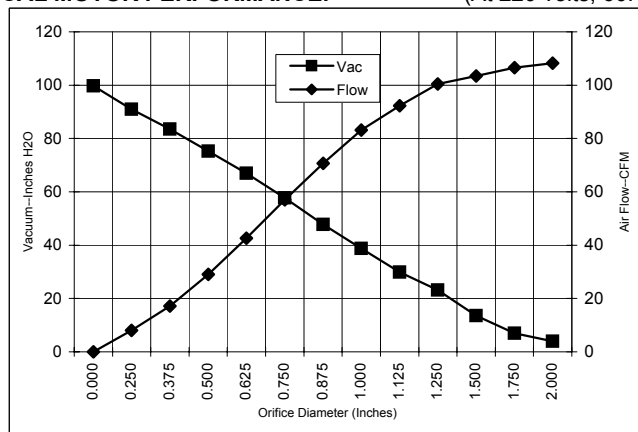
**SPECIAL FEATURES**

- Suitable for 220 volt AC operation, 50/60 Hz
- UL recognized, category PRGY2 (E47185)
- Provision for grounding
- Skeleton-frame design
- The Lamb Electric vacuum motor line offers a wide range of performance levels to meet design needs

**TYPICAL MOTOR PERFORMANCE.\***

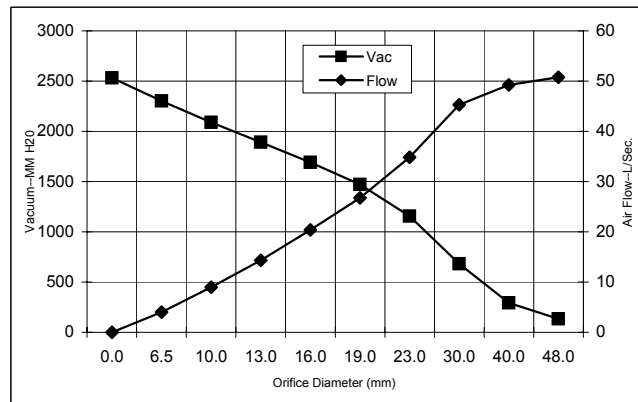
(At 220 volts, 60Hz, test data is corrected to standard conditions of 29.92 Hg, 68° F.)

**ASTM DATA**



Orifice (Inches)	Amps	Watts (In)	RPM	Vac (In.H <sub>2</sub> O)	Flow (CFM)	Air Watts
2.000	6.4	1361	18715	4.0	108.3	50
1.750	6.3	1350	18855	7.0	106.5	89
1.500	6.3	1339	18998	13.5	103.4	174
1.250	6.2	1328	19140	23.2	100.4	273
1.125	6.2	1313	19306	29.9	92.3	233
1.000	6.0	1287	19596	38.8	83.2	379
0.875	5.9	1257	19948	47.8	70.7	397
0.750	5.6	1209	20535	57.7	57.0	386
0.625	5.3	1135	21429	66.9	42.6	335
0.500	4.9	1058	22472	75.3	29.0	256
0.375	4.5	978	23656	83.5	17.2	168
0.250	4.2	910	24550	91.0	8.0	85
0.000	4.0	854	25295	99.7	0.0	0

**METRIC DATA**



Orifice (mm)	Amps	Watts (In)	RPM	Vac (mm H <sub>2</sub> O)	Flow (L/Sec)	Air Watts
48.0	6.4	1356	18777	135	50.7	67
40.0	6.3	1342	18955	293	49.2	148
30.0	6.2	1320	19231	683	45.3	251
23.0	5.9	1265	19860	1157	34.8	392
19.0	5.6	1208	20553	1470	26.8	385
16.0	5.3	1138	21393	1690	20.4	337
13.0	5.0	1066	22368	1891	14.3	264
10.0	4.6	990	23478	2090	9.0	181
6.5	4.2	913	24505	2302	4.0	89
0.0	4.0	854	25295	2532	0.0	0

Note: Metric performance data is calculated from the ASTM data above.

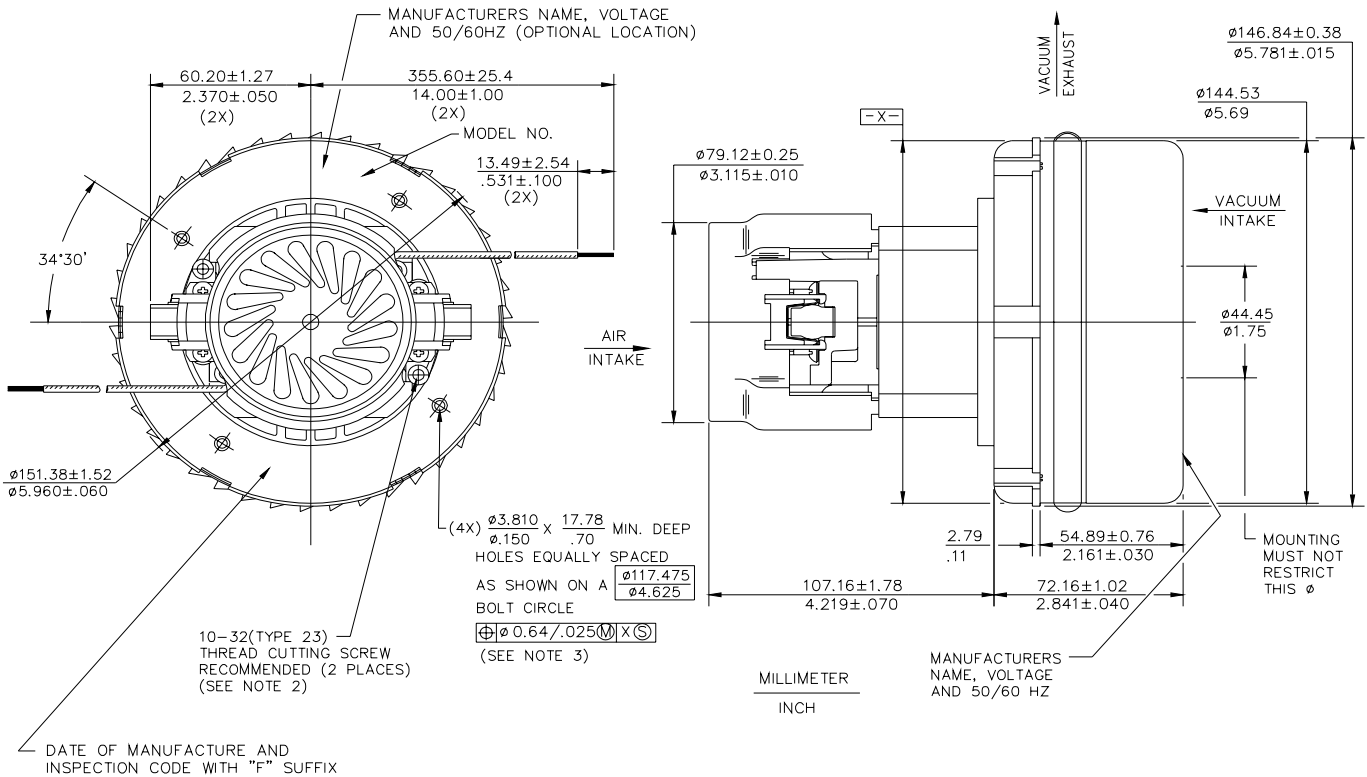
\* Data represents performance of a typical motor sampled from a large production quantity. Individual motor data may vary due to normal manufacturing variations.

<b>Test Specs:</b>	<b>220 volts</b>	<b>Minimum Sealed Vacuum:</b>	<b>90.0"</b>	<b>ORIFICE:</b>	<b>13 mm</b>	<b>Minimum Vacuum:</b>	<b>68.0"</b>	<b>Maximum Watts:</b>	<b>1125</b>
--------------------	------------------	-------------------------------	--------------	-----------------	--------------	------------------------	--------------	-----------------------	-------------

**DIMENSIONS**

NOTES:

1. LEADS: 18GA STRANDED, LEADS CAN BE ANY COLOR EXCEPT GREEN OR GREEN WITH YELLOW STRIPE.
2. GROUNDING OR EARTHING PROVISIONS: USE HOLES AS INDICATED FOR GROUNDING OR EARTHING. REFER TO APPROPRIATE LISTING OR REGULATORY AGENCY FOR PROPER METHOD OF GROUNDING OR EARTHING.
3. RECOMMENDED SCREW SIZE 10-16 TYPE BT OR TYPE 25 THREAD CUTTING SCREW. MAXIMUM PENETRATION 17.40/.685.



**IMPORTANT NOTE:** Pictorial and dimensional data are subject to change without notice. Contact factory for current revision levels.

**WARNING** - When using AMETEK Lamb Electric bypass motors in machines that come in contact with foam, liquid (including water), or other foreign substances, the machine must be designed and constructed to prevent those substances from reaching the fan system, motor housing, and electrical components. Lamb Electric vacuum motors other than hazardous duty models should not be applied in machines that come in contact with dry chemicals or other volatile materials. Failure to observe these precautions could cause flashing (depending on volatility) or electrical shock which could result in property damage and severe bodily injury, including death in extreme cases. All applications incorporating Lamb Electric motors should be submitted to appropriate organizations or agencies for testing specifically related to the safety of your equipment.

**AMETEK/Lamb Electric Division**  
**627 Lake Street**  
**Kent, Ohio 44240**  
**U.S.A.**  
**Tel: (330) 673-3451 Fax: (330) 673-8994**  
**www.lambelectric.com**