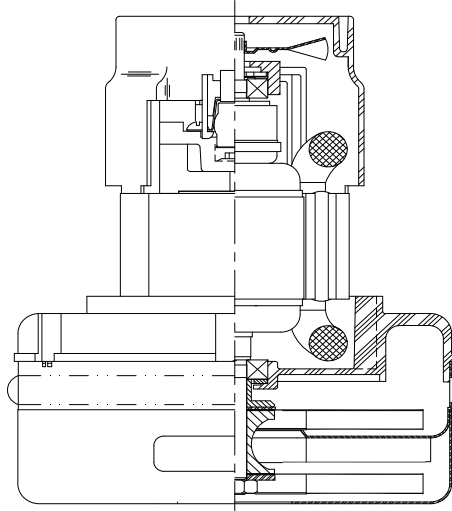


LAMB ELECTRIC

Model: 119661-00

DESCRIPTION

- Two stages
- 120 volts
- 5.7"/145 mm diameter
- Double ball bearings
- Single speed
- Peripheral bypass discharge
- Thermoset fan end bracket
- Aluminum commutator bracket



SPECIAL FEATURES

- Suitable for 120 volt AC operation, 50/60 Hz
- UL recognized, category PRGY2 (E47185)
- No shaft extension
- Provision for grounding
- Skeleton-frame design
- The Lamb Electric vacuum motor line offers a wide range of performance levels to meet design needs

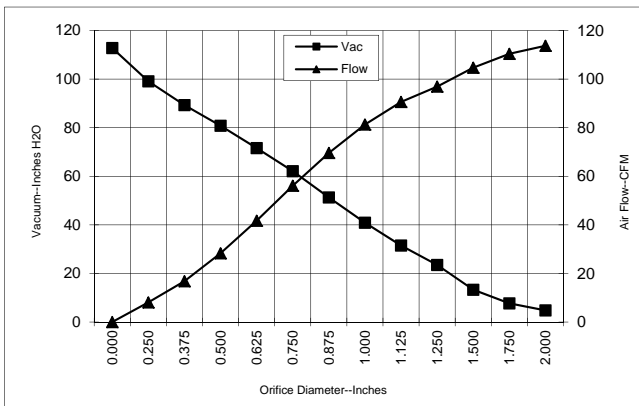
DESIGN APPLICATION

- Equipment operating in environments requiring separation of working air from motor ventilating air
- Designed to handle clean, dry, filtered air only

TYPICAL MOTOR PERFORMANCE.*

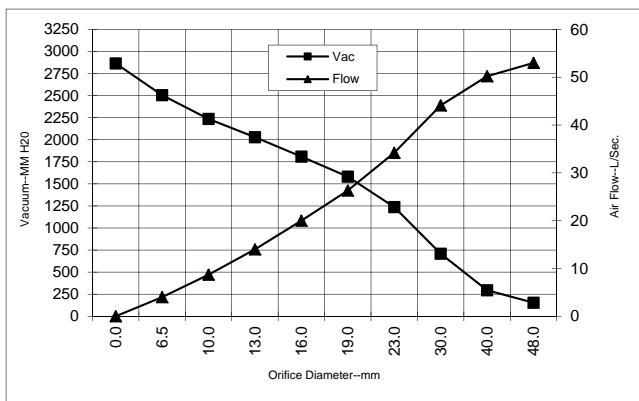
(At 120 volts, 60Hz, test data is corrected to standard conditions of 29.92 Hg, 68° F.)

ASTM DATA



Orifice (Inches)	Amps	Watts (In)	RPM	Vac (In.H2O)	Flow (CFM)	Air Watts
2.000	11.2	1299	21125	4.8	113.7	64
1.750	11.3	1309	21030	7.7	110.4	100
1.500	11.4	1319	20930	13.3	104.7	163
1.250	11.5	1335	20730	23.5	96.9	268
1.125	11.6	1339	20680	31.5	90.6	335
1.000	11.6	1340	20680	40.9	81.3	391
0.875	11.4	1321	20930	51.3	69.6	419
0.750	11.0	1274	21375	62.1	56.1	409
0.625	10.3	1202	22070	71.6	41.7	351
0.500	9.6	1117	23015	80.8	28.3	268
0.375	8.7	1022	24110	89.3	16.8	176
0.250	8.0	939	25305	99.1	8.1	94
0.000	7.4	873	26395	112.8	0.0	0

METRIC DATA



Orifice (mm)	Amps	Watts (In)	RPM	Vac (mm H2O)	Flow (L/Sec)	Air Watts
48.0	11.2	1303	21083	154	53.0	80
40.0	11.4	1316	20960	295	50.2	144
30.0	11.6	1337	20703	709	44.1	305
23.0	11.4	1326	20868	1237	34.2	412
19.0	10.9	1273	21389	1582	26.3	408
16.0	10.4	1205	22042	1809	20.0	353
13.0	9.6	1126	22921	2029	14.0	276
10.0	8.8	1036	23946	2236	8.7	190
6.5	8.0	943	25245	2505	4.0	98
0.0	7.4	873	26395	2865	0.0	0

Note: Metric performance data is calculated from the ASTM data above.

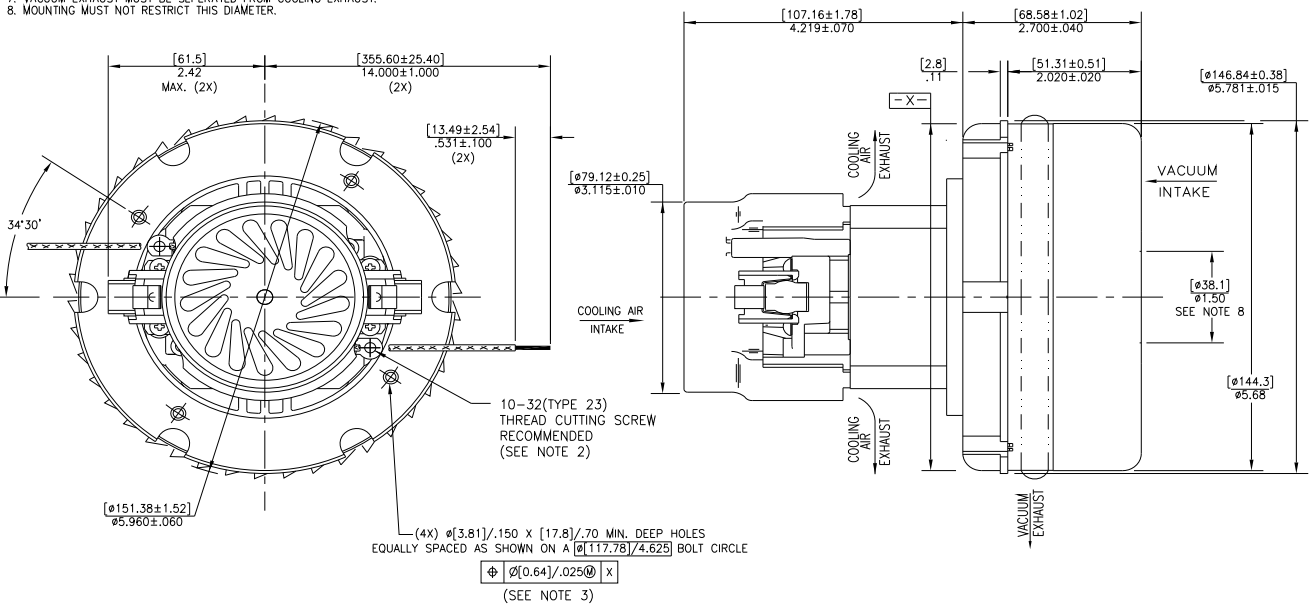
* Data represents performance of a typical motor sampled from a large production quantity. Individual motor data may vary due to normal manufacturing variations.

Test Specs:	120 volts	Minimum Sealed Vacuum:	99.0"	ORIFICE:	7/8 "	Minimum Vacuum:	47.0"	Maximum Watts:	1550
--------------------	-----------	-------------------------------	-------	-----------------	-------	------------------------	-------	-----------------------	------

DIMENSIONS

NOTES:

1. LEADS: 18GA STRANDED, LEADS CAN BE ANY COLOR EXCEPT GREEN OR GREEN WITH YELLOW STRIPE.
2. GROUNDING OR EARTHING PROVISIONS: USE HOLES AS INDICATED FOR GROUNDING OR EARTHING. REFER TO APPROPRIATE LISTING OR REGULATORY AGENCY FOR PROPER METHOD OF GROUNDING OR EARTHING.
3. RECOMMENDED SCREW SIZE 10-16 TYPE BT OR 25 THREAD CUTTING SCREW. MAXIMUM PENETRATION [17.40]/.685.
4. MOTOR IDENTIFICATION: MANUFACTURER'S NAME, MODEL NUMBER, VOLTAGE, FREQUENCY, INSPECTOR'S CODE, DATE OF MANUFACTURE, AGENCY RECOGNITION CODE, PLANT LOCATION CODE, PATENT INFORMATION, ONE OR MORE OF THE FOLLOWING PATENTS APPLY TO THIS MOTOR: 5482378; 5736805; 4669952; 4684835. AND COUNTRY OF ORIGIN.
5. ALLOW [0.0016 SQ M]/2.5 SQ IN. MIN. FOR COOLING AIR INTAKE.
6. COOLING AIR INTAKE MUST BE SEPERATED FROM COOLING AIR EXHAUST.
7. VACUUM EXHAUST MUST BE SEPERATED FROM COOLING EXHAUST.
8. MOUNTING MUST NOT RESTRICT THIS DIAMETER.



IMPORTANT NOTE: Pictorial and dimensional data are subject to change without notice. Contact factory for current revision levels.

WARNING - When using AMETEK Lamb Electric bypass motors in machines that come in contact with foam, liquid (including water), or other foreign substances, the machine must be designed and constructed to prevent those substances from reaching the fan system, motor housing, and electrical components. Lamb Electric vacuum motors other than hazardous duty models should not be applied in machines that come in contact with dry chemicals or other volatile materials. Failure to observe these precautions could cause flashing (depending on volatility) or electrical shock which could result in property damage and severe bodily injury, including death in extreme cases. All applications incorporating Lamb Electric motors should be submitted to appropriate organizations or agencies for testing specifically related to the safety of your equipment.

AMETEK Lamb Electric
 627 Lake Street
 Kent, Ohio 44240
 U.S.A.
 Tel: (330) 673-3451
 Fax: (330) 673-8994

AMETEK GmbH
 Dostojewskistrasse 10
 D-65187 Wiesbaden
 Germany
 Tel: 49-0611-989210
 Fax: 49-0611-9892110

AMETEK Motors (Shanghai) Co., Ltd.
 No. 1 AMETEK Road, Jiu Ting Economic
 Development Zone, Song Jiang, Shanghai
 201615, China
 Tel: 8621-5763-2408
 Fax: 8621-5763-2411